



ALUMETCO



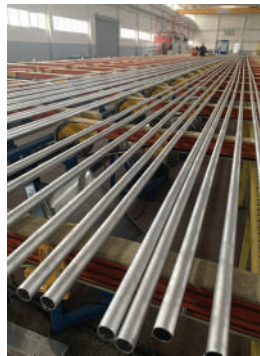
Standards stay the same,
innovation never ends...

SOLAR PV MOUNTING SYSTEMS



ALUMETCO

www.alu-metco.com



Alumetco is a leading manufacturer in the aluminium industry, with over 20 years of experience. Our story began when we started our production with a small team dedicated to creating high-quality products. Over the years, we have grown into a company that is known for its innovation, reliability, and exceptional customer service. At Alumetco, we are committed to providing our customers with the highest quality products and services. We have a team of experts who are passionate about the aluminium industry and are constantly seeking new developments and innovations. We believe that this drive for innovation is what sets us apart from our competitors and has allowed us to become one of the most trusted names in the industry.

Product Range

- Frameless Glass Railing Systems
- Aluminium Railing Systems
- Height Adjustable Railing Systems
- Glass Canopies
- Aluminium Garden Fence Systems
- Aluminium Veranda Systems
- Solar PV mounting systems

Our Mission

Our mission is to enhance the performance and aesthetics of buildings, and to improve the quality of life for our partners by delivering products of the highest quality, technology, and aesthetics. At Alumetco, we are constantly seeking new developments and innovations, and we are never satisfied with the status quo. That is why our motto is "Driven by Innovation."




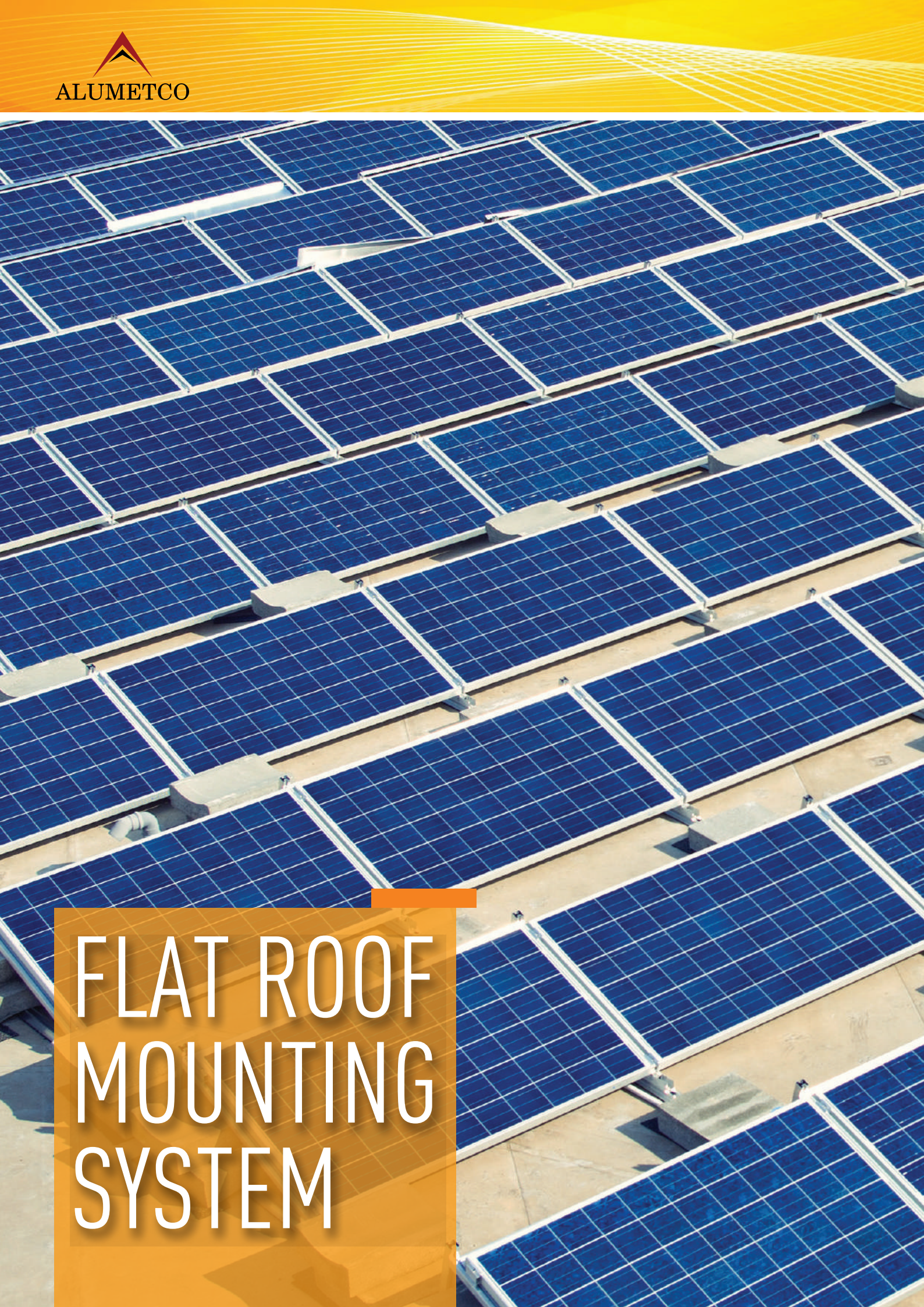
SOLAR PROFILES EXTRUSION

BASIC VALUES OF PROFILE (minimum)

BILLET NORM	Thermal Operation	MECHANICAL PROPERTIES					PHYSICAL PROPERTIES					OTHER PROPERTIES			
		Yield Strength (N/mm ²)	Tensile Strength (N/mm ²)	Elongation% (50 mm) mm/mm	Hardness (kg/mm ²)	Cutting Strength (kg/mm ²)	Specific Gravity (gr/cm ³)	Elasticity Module (kg/mm ²)	Thermal Conductivity (cal/cmS°C)	Expansion Coefficient (20-100°C/°C)	Electrical Strength (20°C ohm mm ² /mm)	Corrosion Strength	Welding Ability	Powder Coating Thickness M	Anodising Thickness M
ETINORM : ETIAL-60 T.S.E : AIMgSi0.5 DIN (GERMANY) : AIMgSi0.5 USA (AA) : 6063	T6	165	204	13,6	11-14 Webster 65-75 HB	11,5	2,71	6900	0,48	23x10 ⁻⁶	0,033	Very Good	Good	75-100	10-12

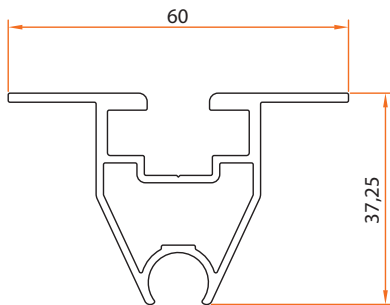


- 
- 04 FLAT ROOF
MOUNTING SYSTEM
 - 08 TILE ROOF
MOUNTING SYSTEM
 - 12 TRAPEZOIDAL METAL ROOF
SANDWICH PANEL
MOUNTING SYSTEM
 - 20 METAL SHEET ROOF
MOUNTING SYSTEM
 - 24 LAND TYPE
MOUNTING SYSTEM
 - 30 FRAME PROFILES
 - 31 CLAMP PROFILES
 - 32 CLAMPS

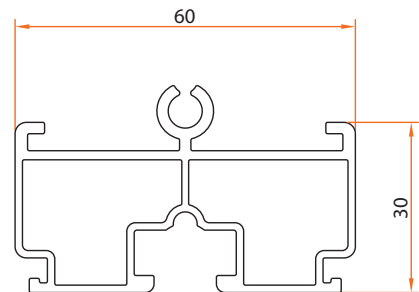


FLAT ROOF MOUNTING SYSTEM

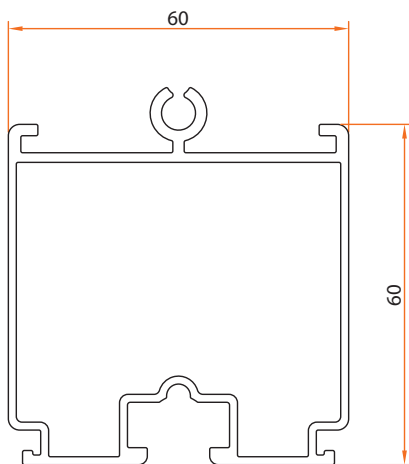
FLAT ROOF MOUNTING SYSTEM



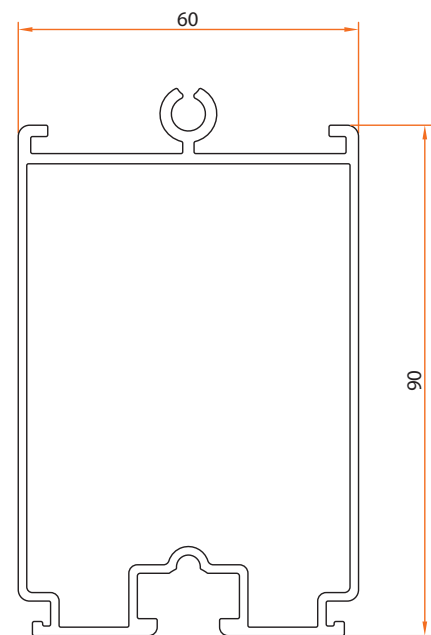
Code: **1408**
0,752 kg/m



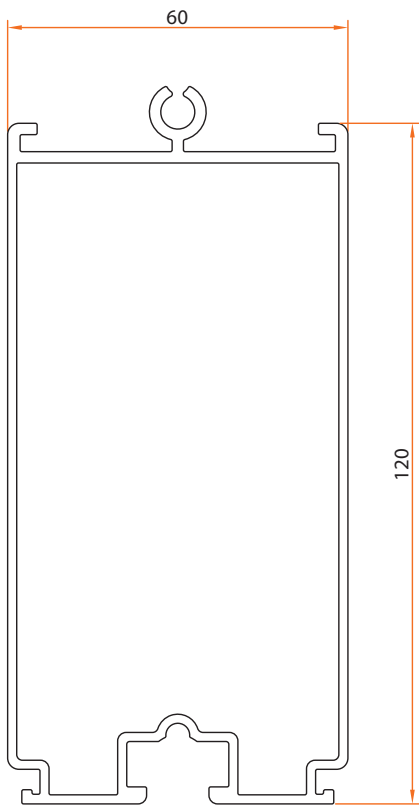
Code: **1409**
1,045 kg/m



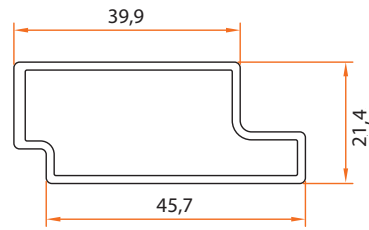
Code: **1410**
1,297 kg/m



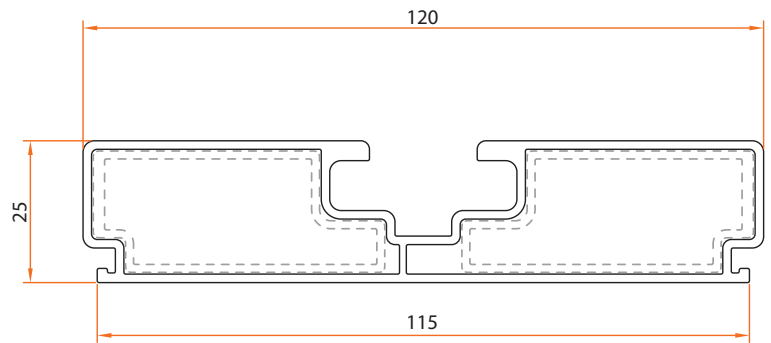
Code: **1427**
1,607 kg/m



Code: **1411**
1,964 kg/m

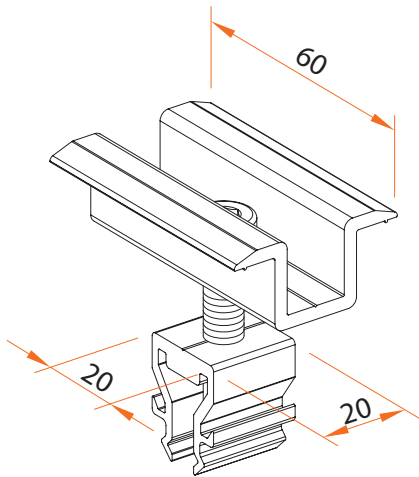


Code: **1428**
0,541 kg/m

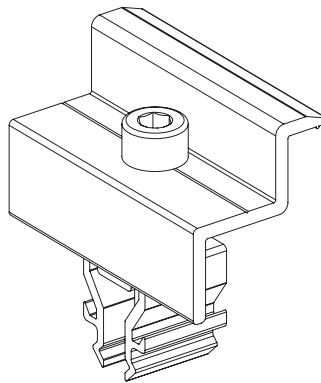


Code: **1412**
1,455 kg/m

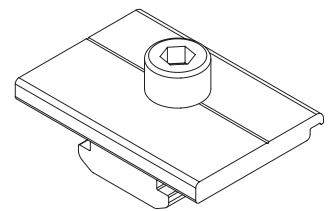
CLAMPS



Code: **AK-5410**



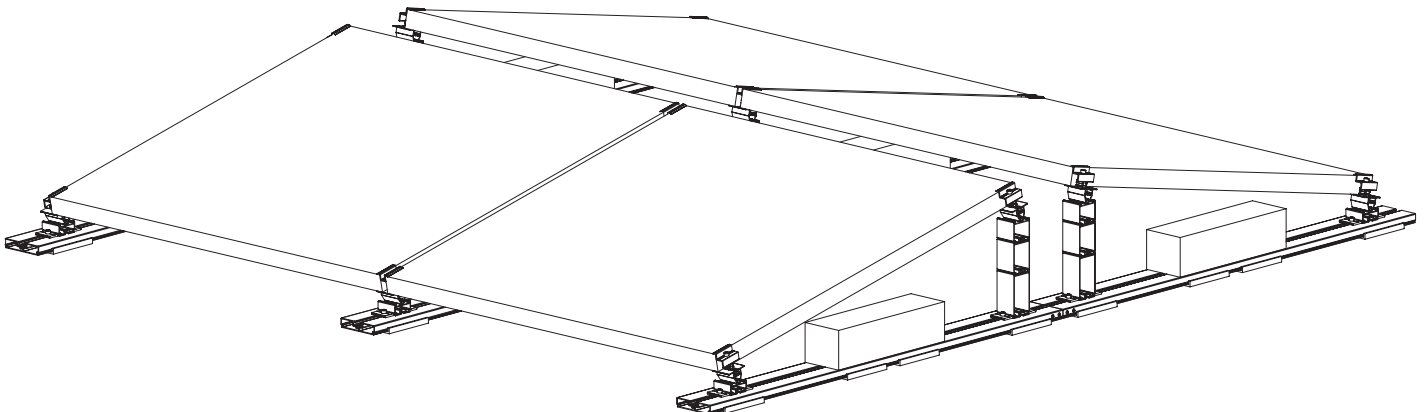
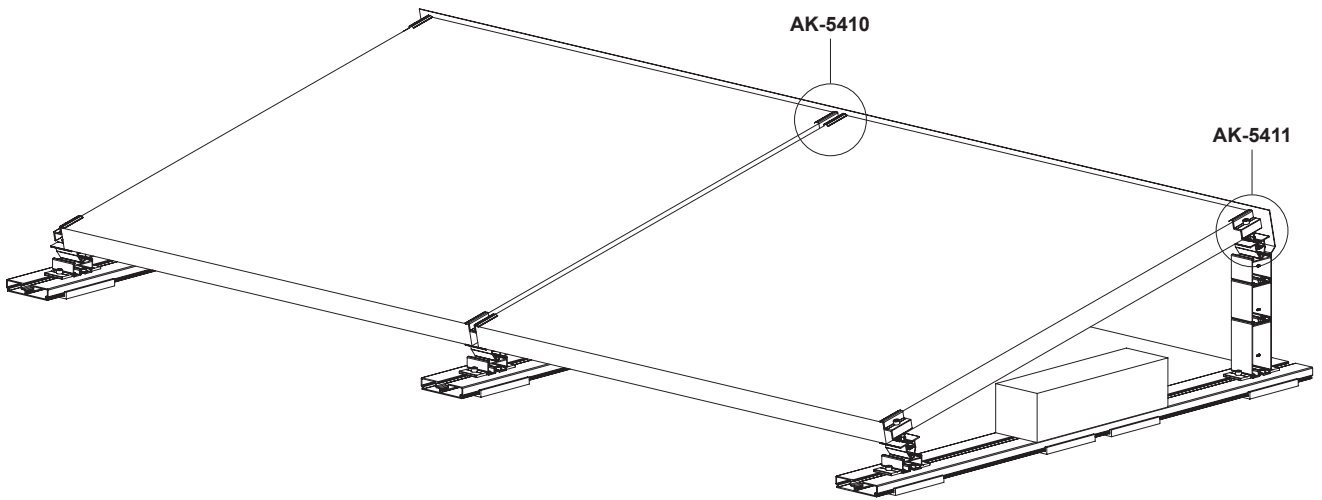
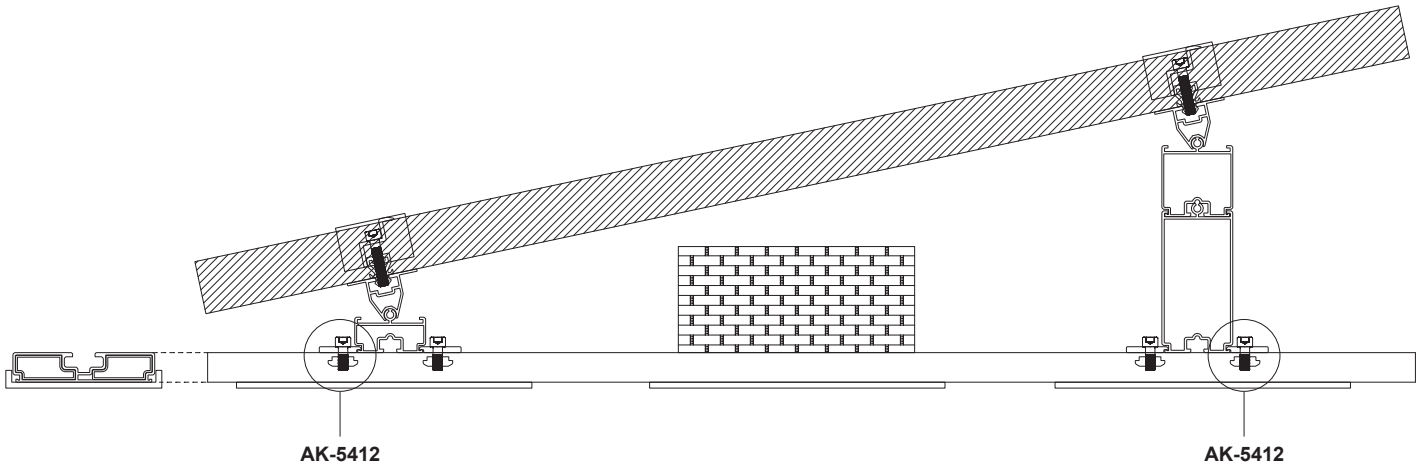
Code: **AK-5411**

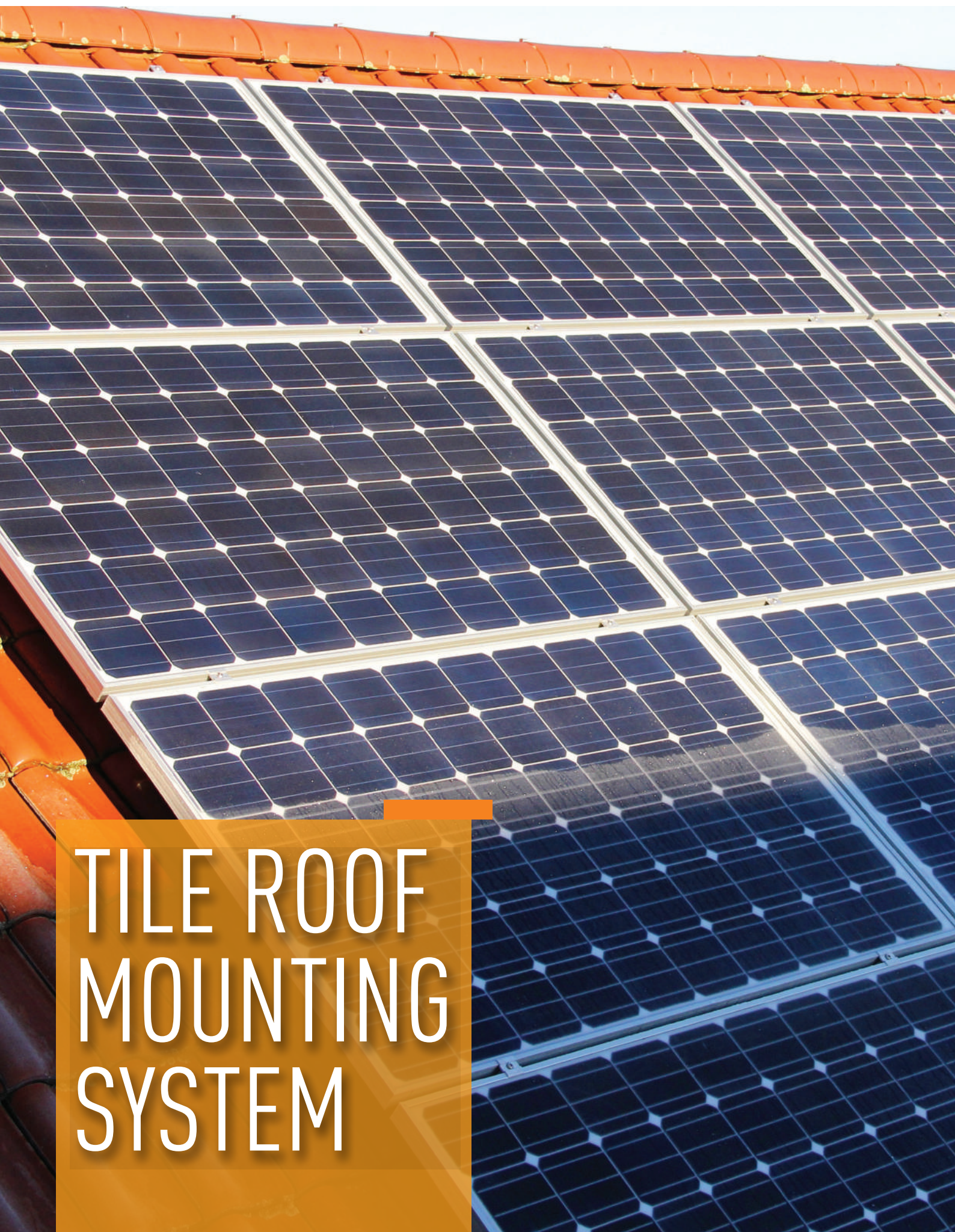


Code: **AK-5412**

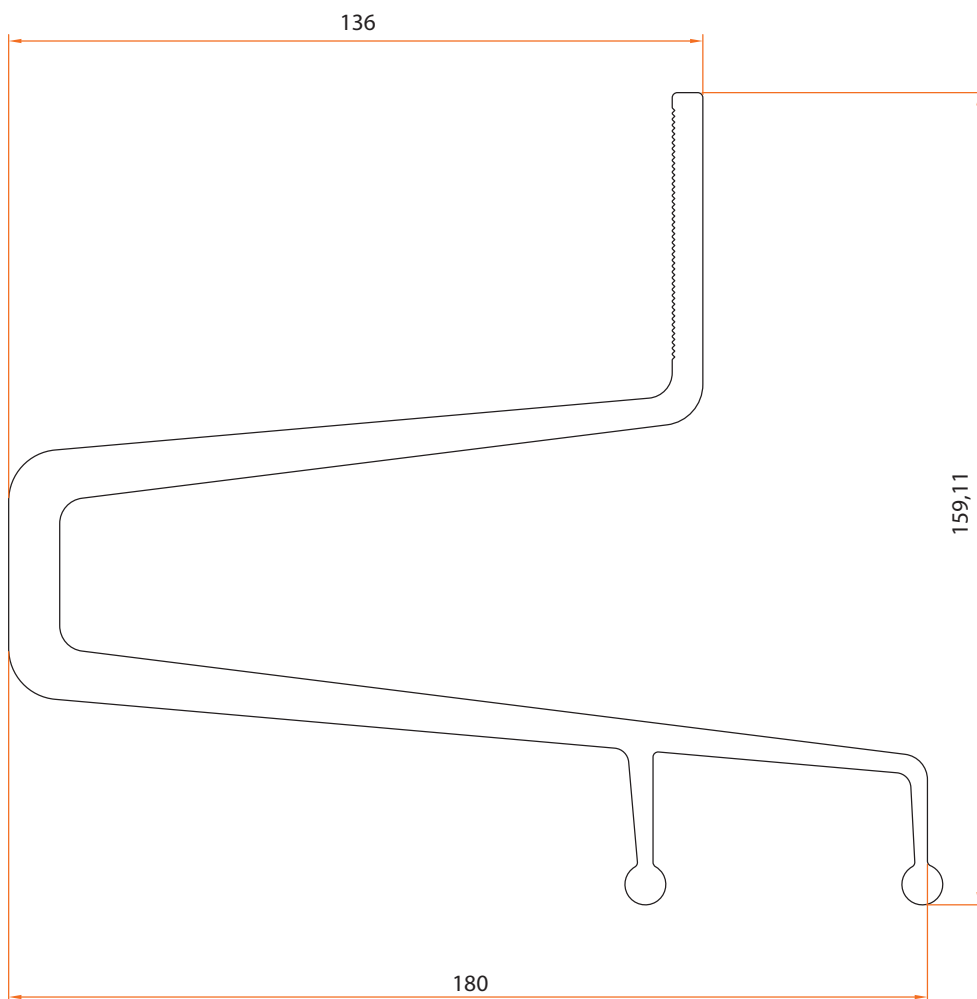
FLAT ROOF MOUNTING SYSTEM

12°

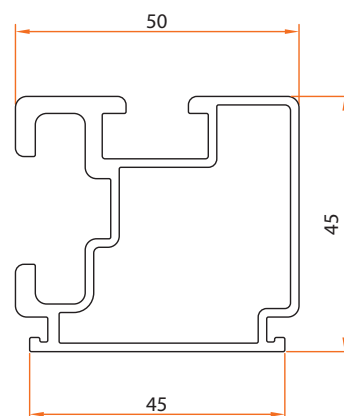




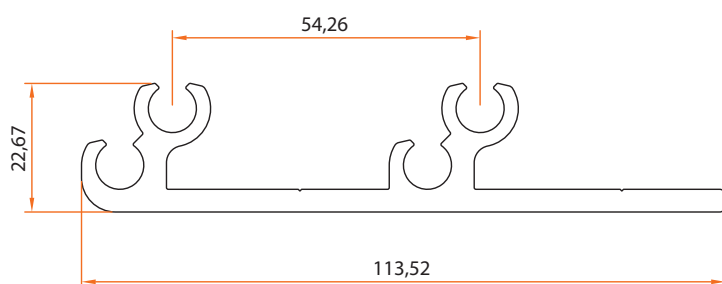
TILE ROOF MOUNTING SYSTEM



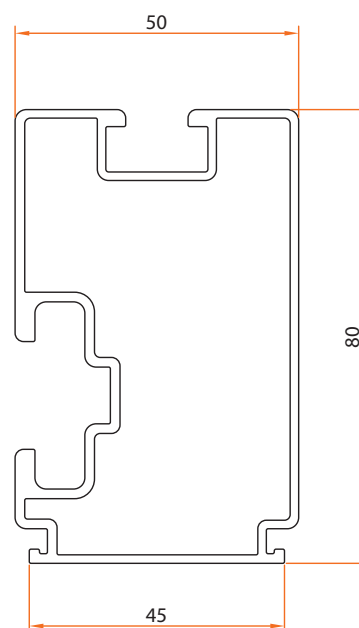
Code: **1425**
8,568 kg/m



Code: **1415**
1,195 kg/m

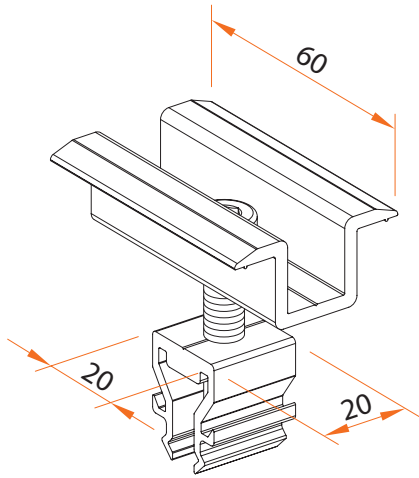


Code: **1426**
1,944 kg/m

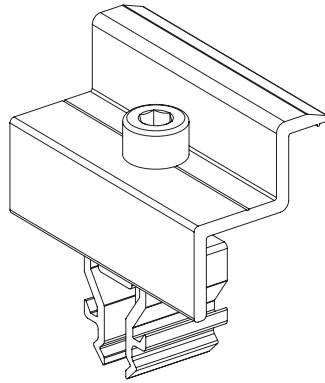


Code: **1430**
1,518 kg/m

CLAMPS

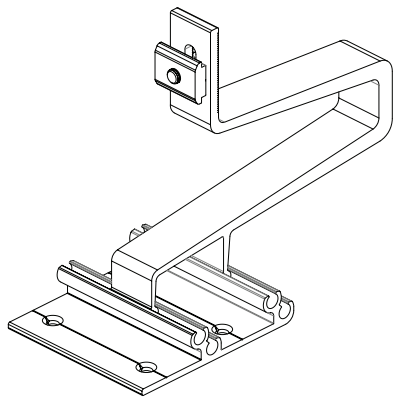


Code: **AK-5410**

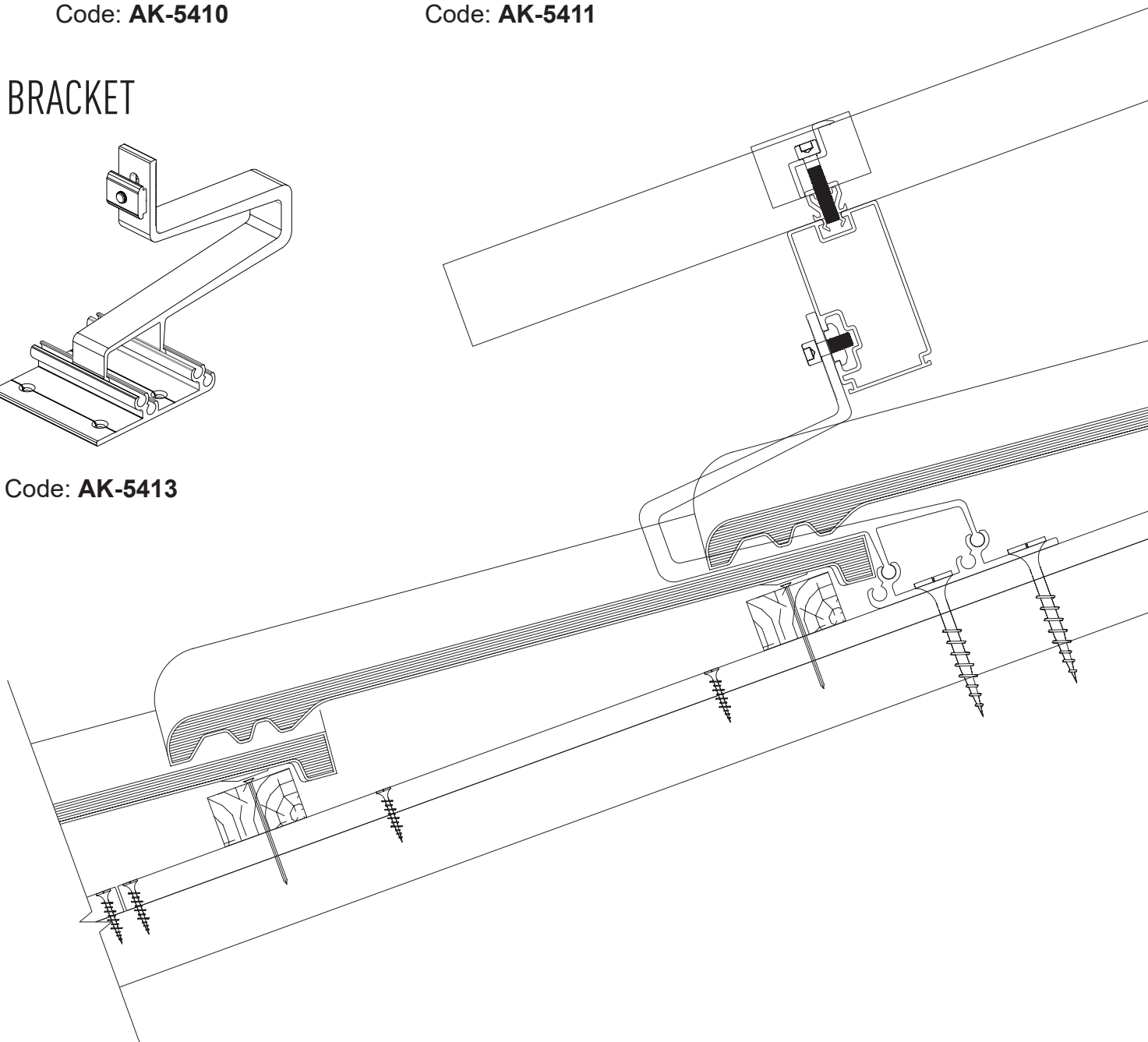


Code: **AK-5411**

BRACKET

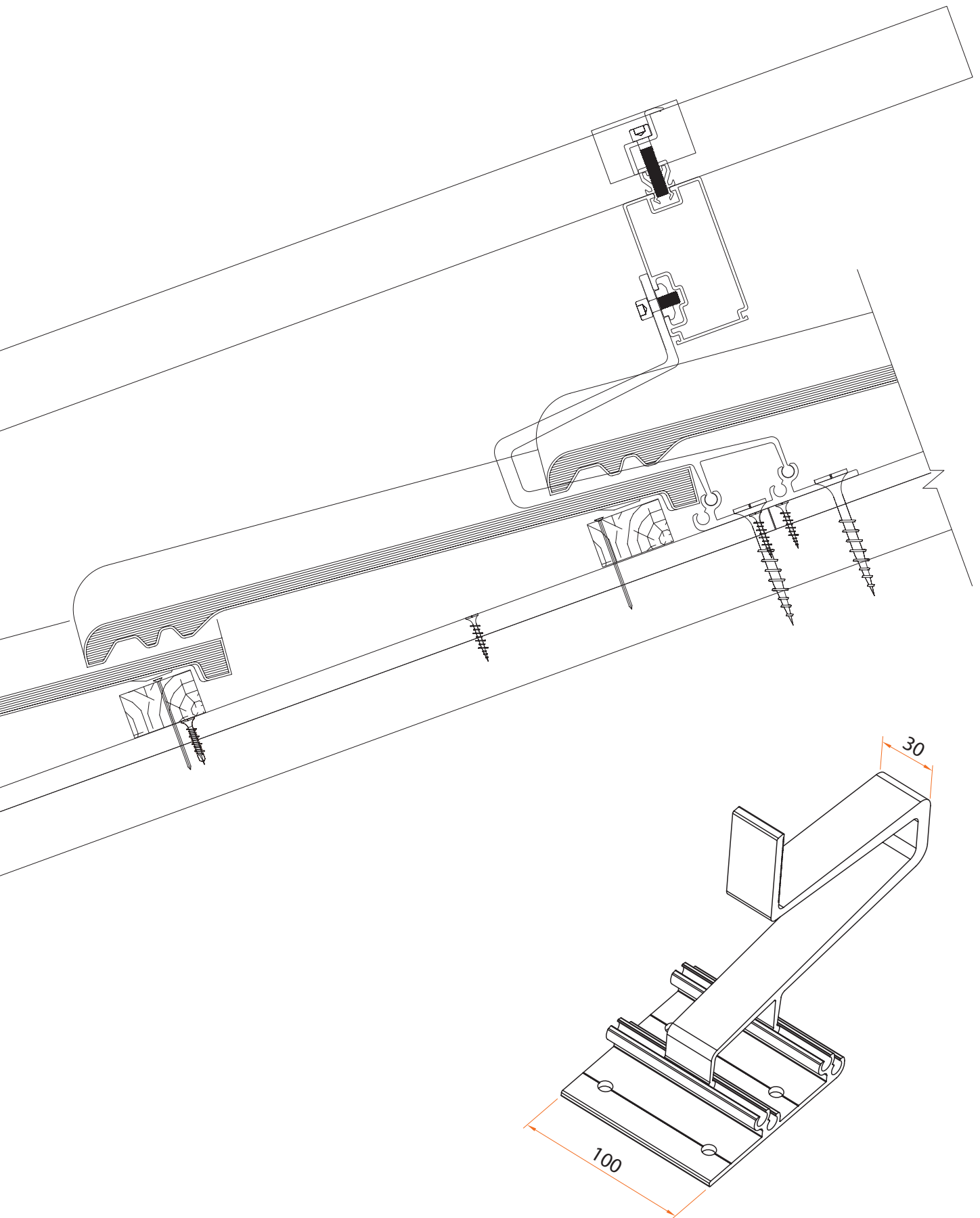


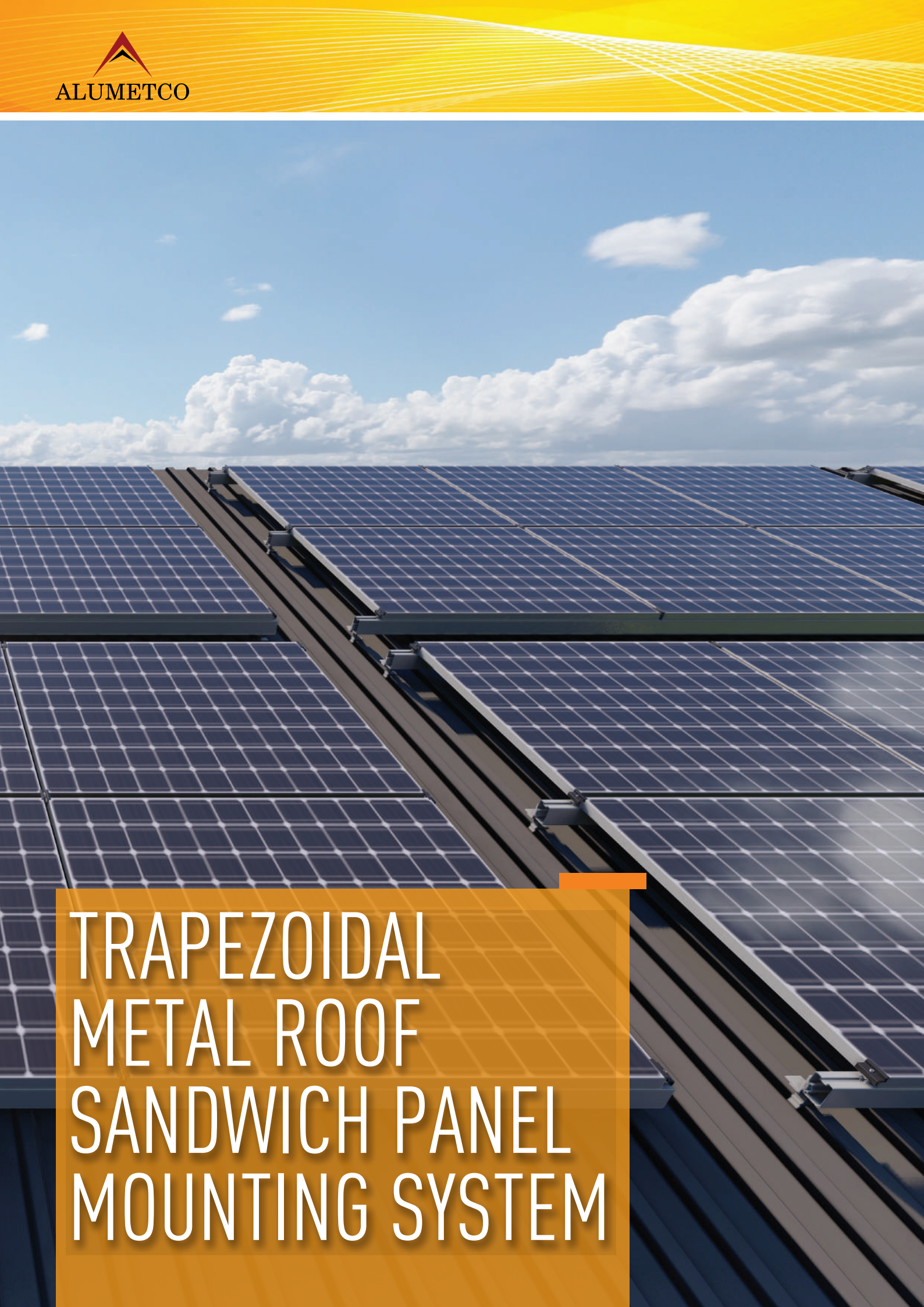
Code: **AK-5413**



TILE ROOF MOUNTING SYSTEM

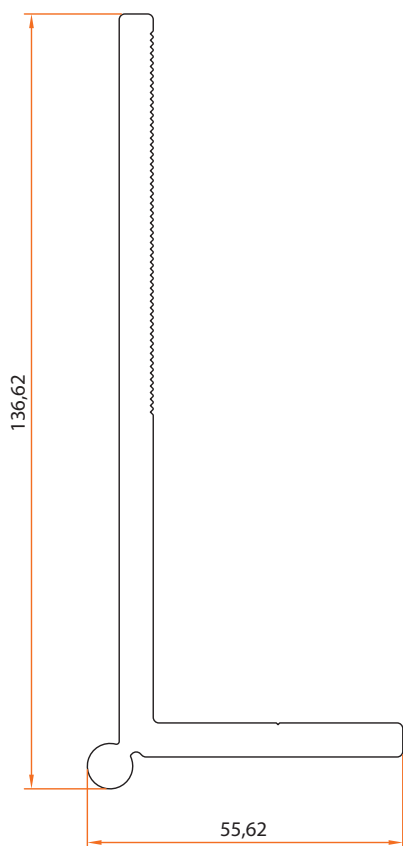
20°



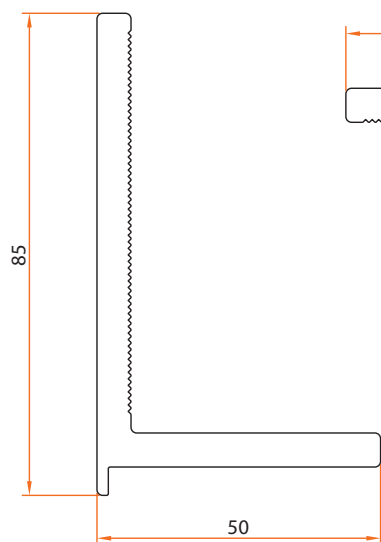


TRAPEZOIDAL
METAL ROOF
SANDWICH PANEL
MOUNTING SYSTEM

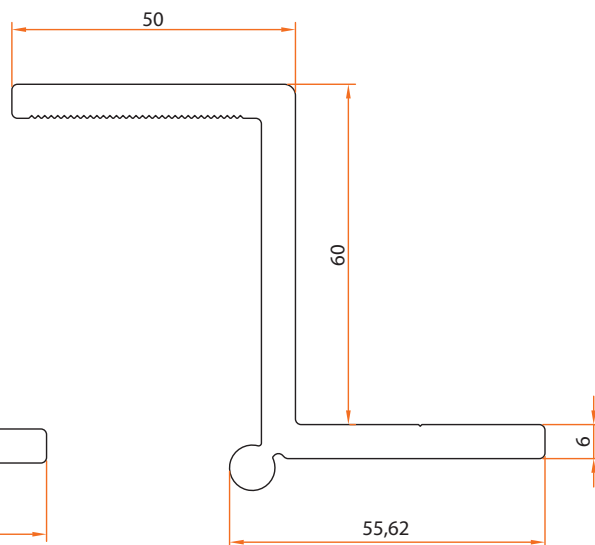
TRAPEZOIDAL METAL ROOF / SANDWICH PANEL MOUNTING SYSTEMS



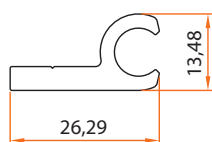
Code: **1429**
2,929 kg/m



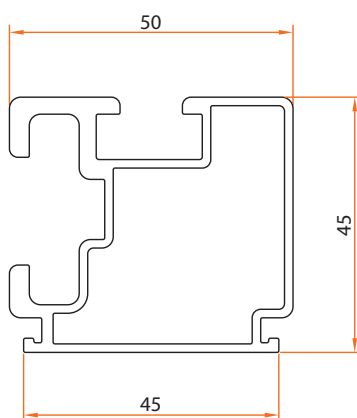
Code: **1413**
2,002 kg/m



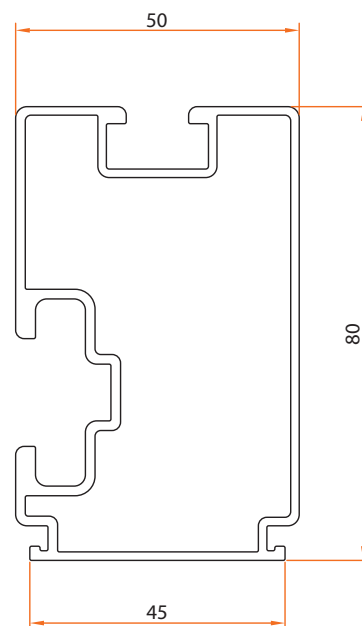
Code: **1414**
2,604 kg/m



Code: **1416**
0,373 kg/m

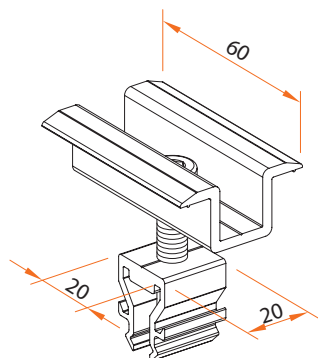


Code: **1415**
1,195 kg/m

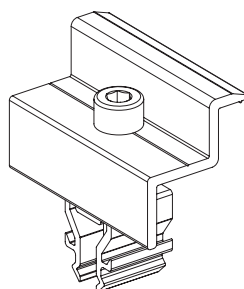


Code: **1430**
1,518 kg/m

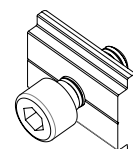
CLAMPS



Code: **AK-5410**

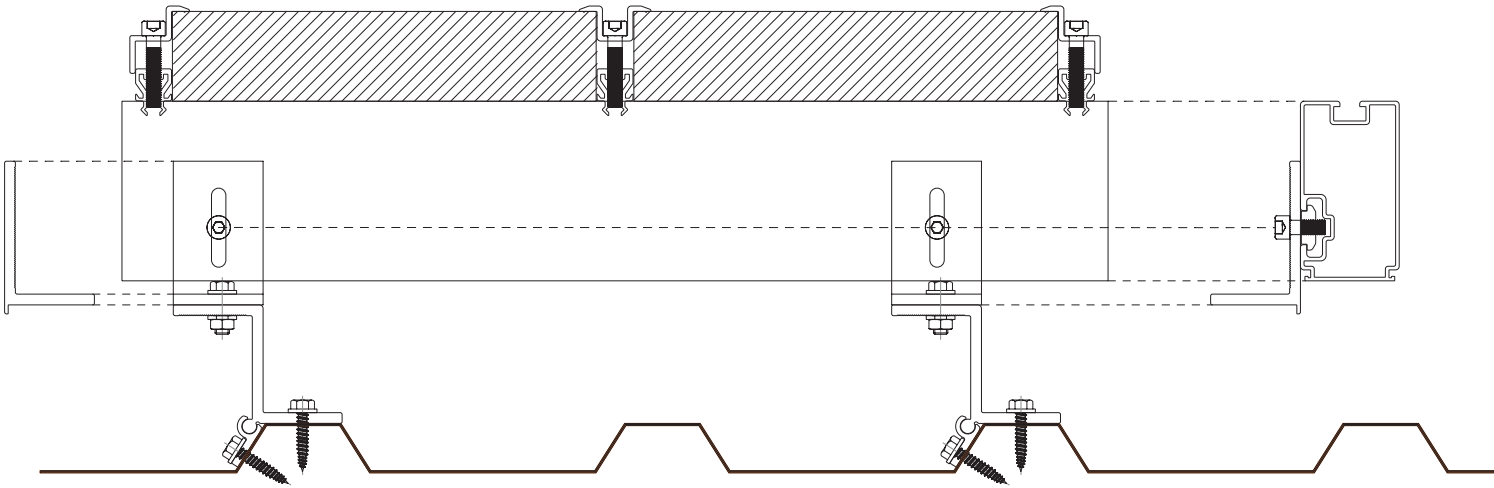


Code: **AK-5411**

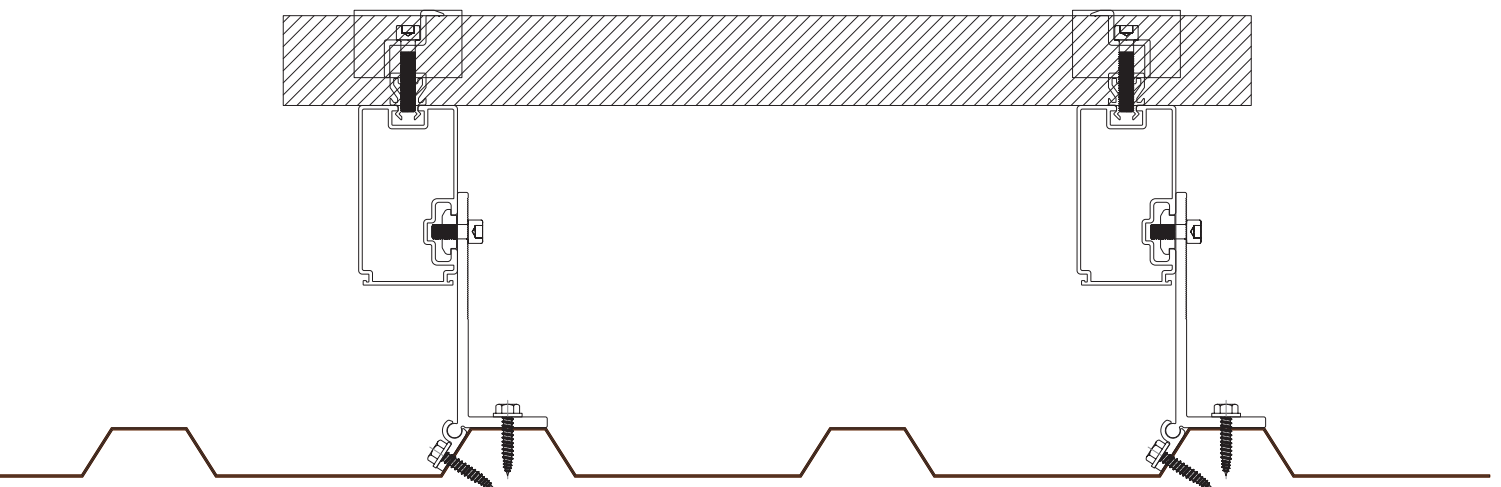


Code: **AK-5414**

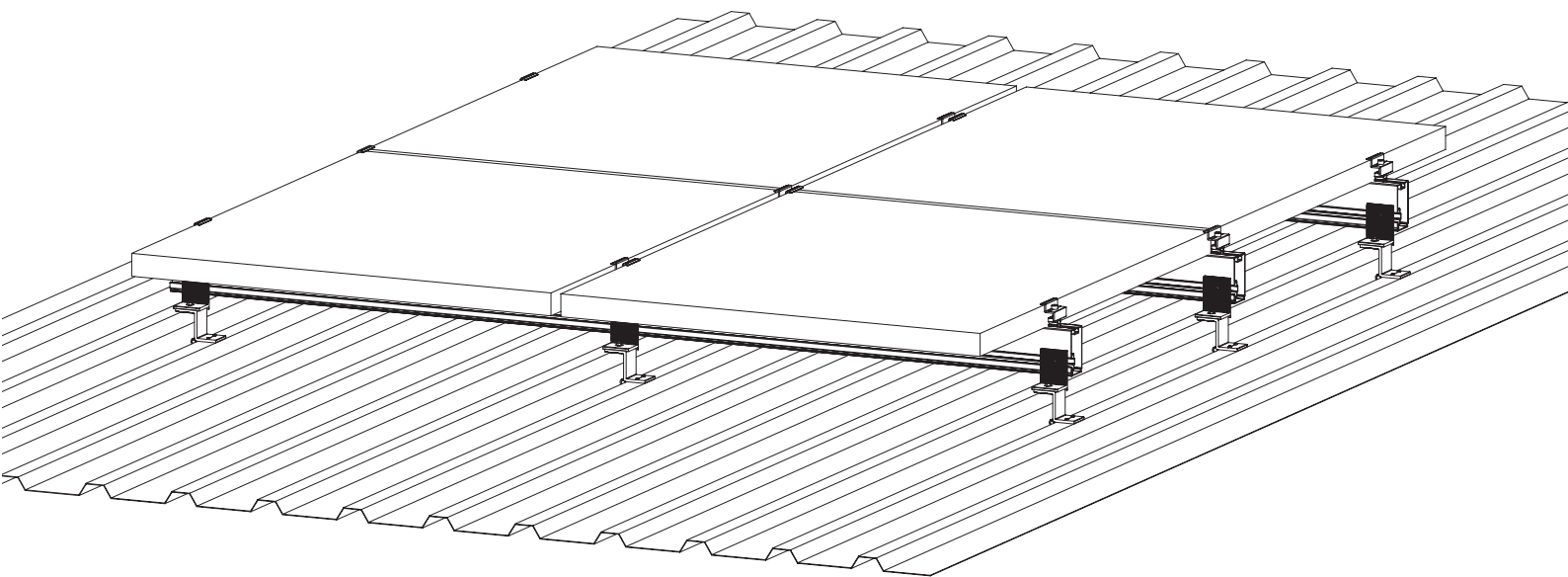
Horizontal Application



Vertical Application

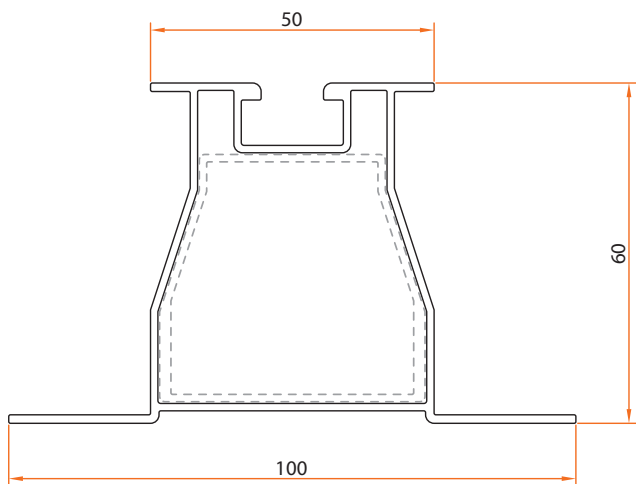


TRAPEZOIDAL METAL ROOF / SANDWICH PANEL MOUNTING SYSTEMS

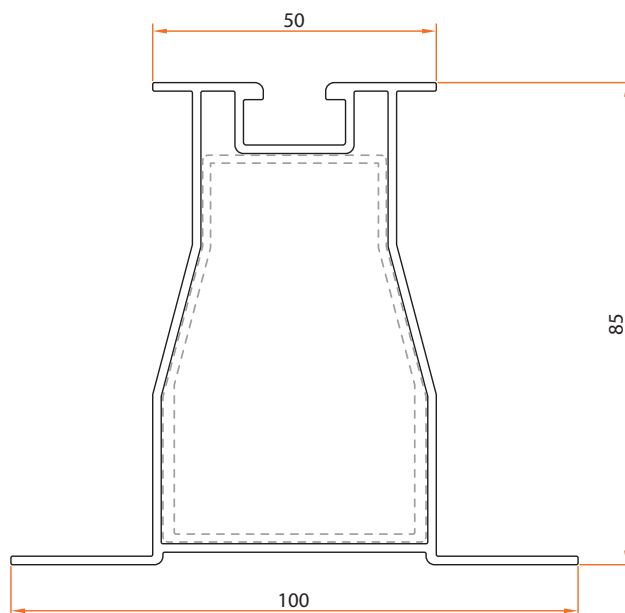




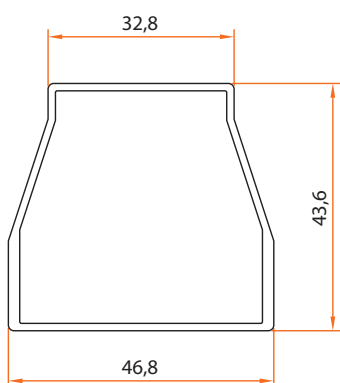
TRAPEZOIDAL METAL ROOF / SANDWICH PANEL MOUNTING SYSTEMS



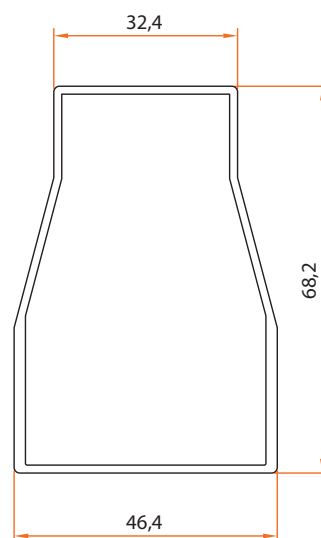
Code: **1417**
1,109 kg/m



Code: **1418**
1,431 kg/m

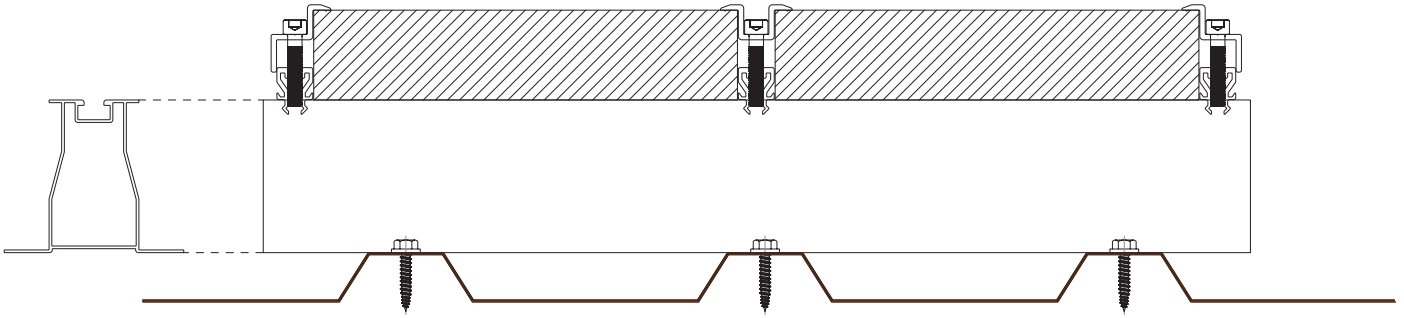


Code: **1431**
0,633 kg/m

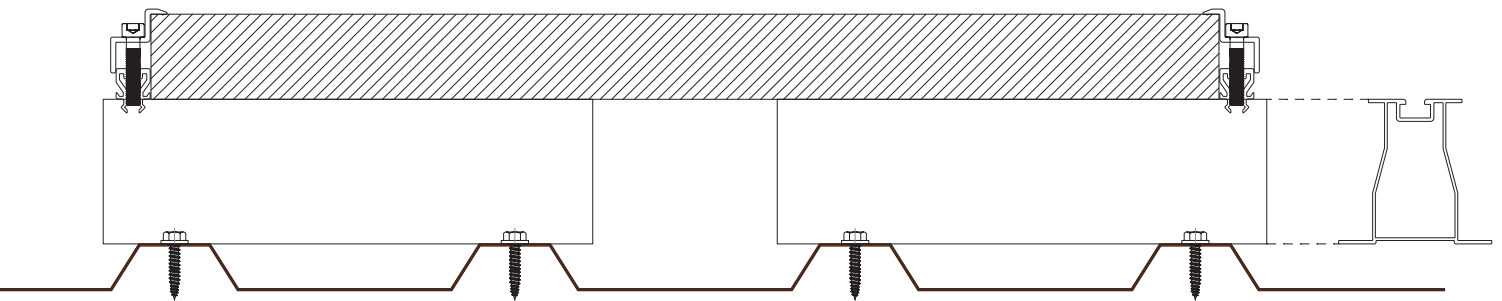


Code: **1432**
0,882 kg/m

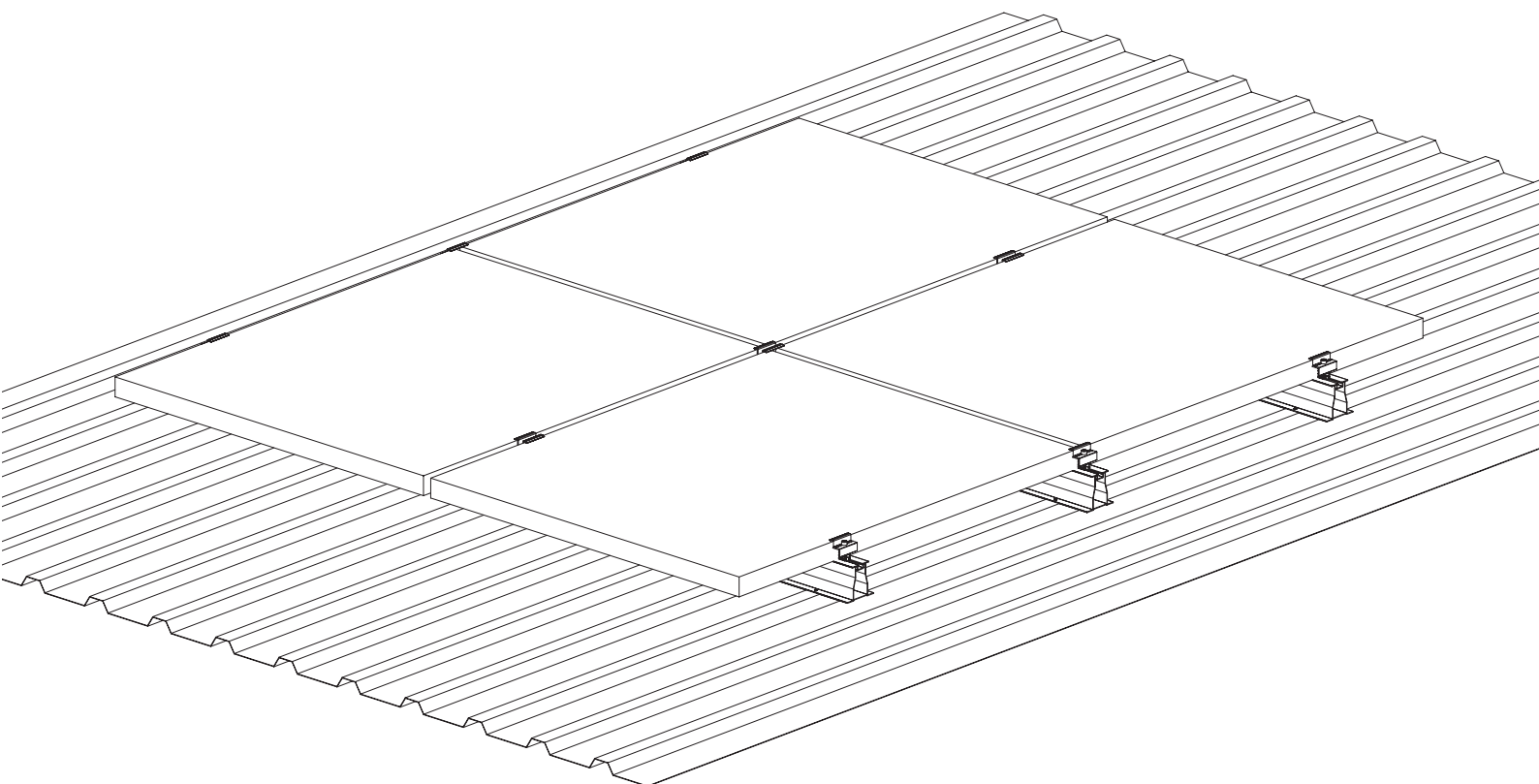
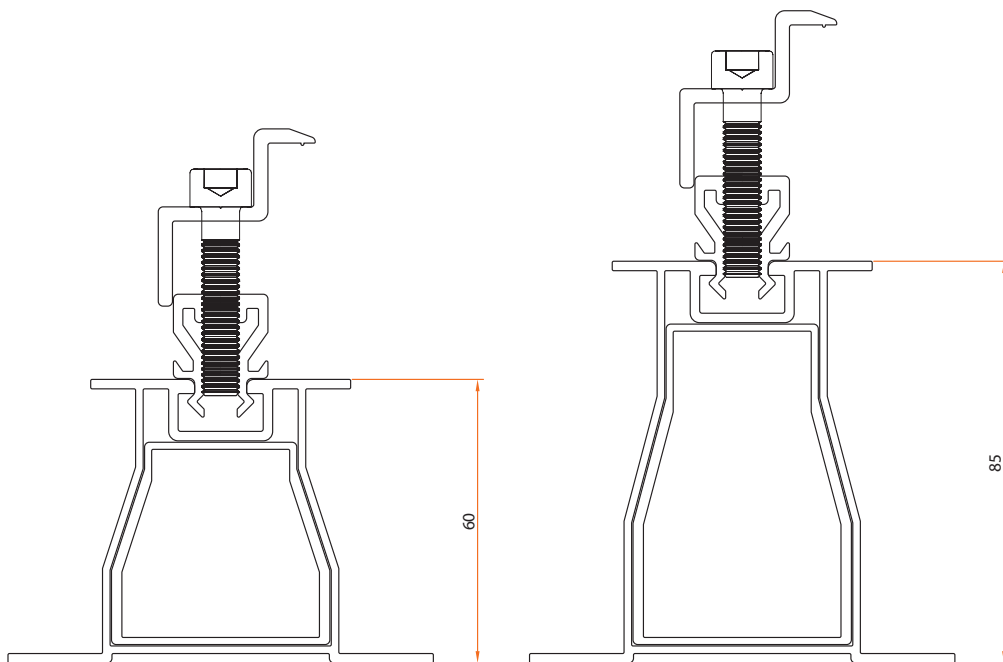
Full Length Profile Application



Piece by Piece Application



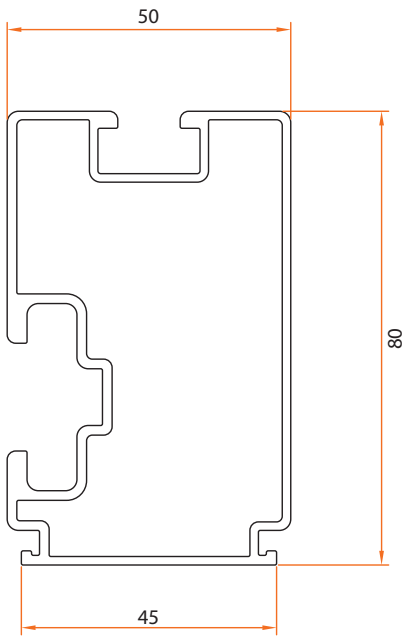
TRAPEZOIDAL METAL ROOF / SANDWICH PANEL MOUNTING SYSTEMS



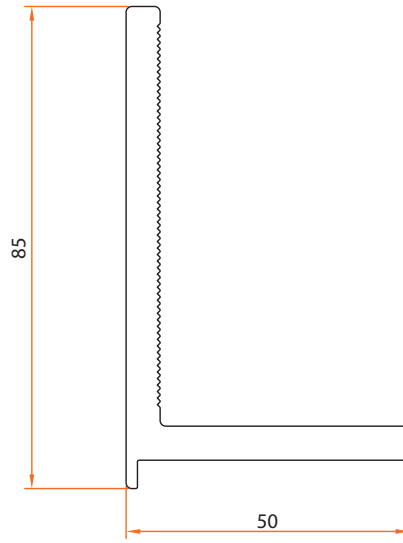


METAL SHEET ROOF MOUNTING SYSTEM

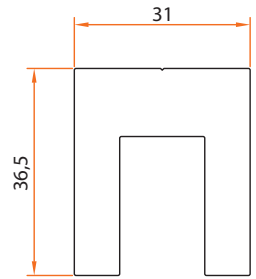
METAL SHEET ROOF MOUNTING SYSTEM



Code: **1430**
1,518 kg/m

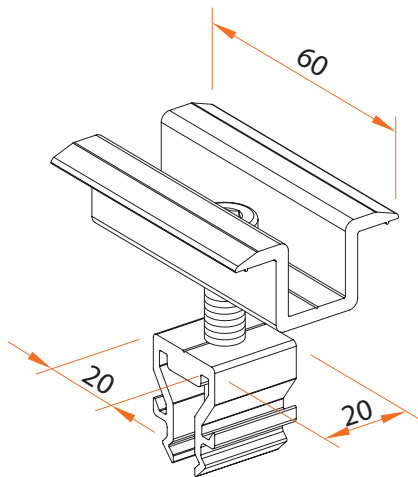


Code: **1413**
2,002 kg/m

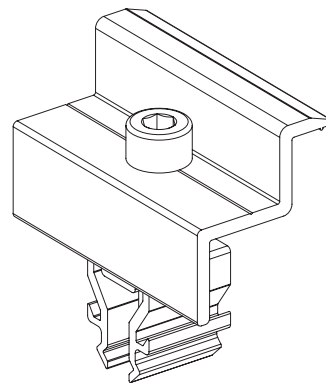


Code: **1438**
2,070 kg/m

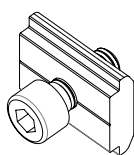
CLAMPS



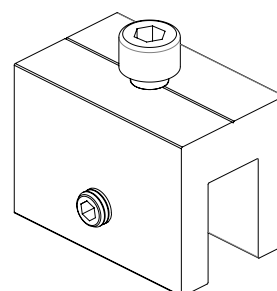
Code: **AK-5410**



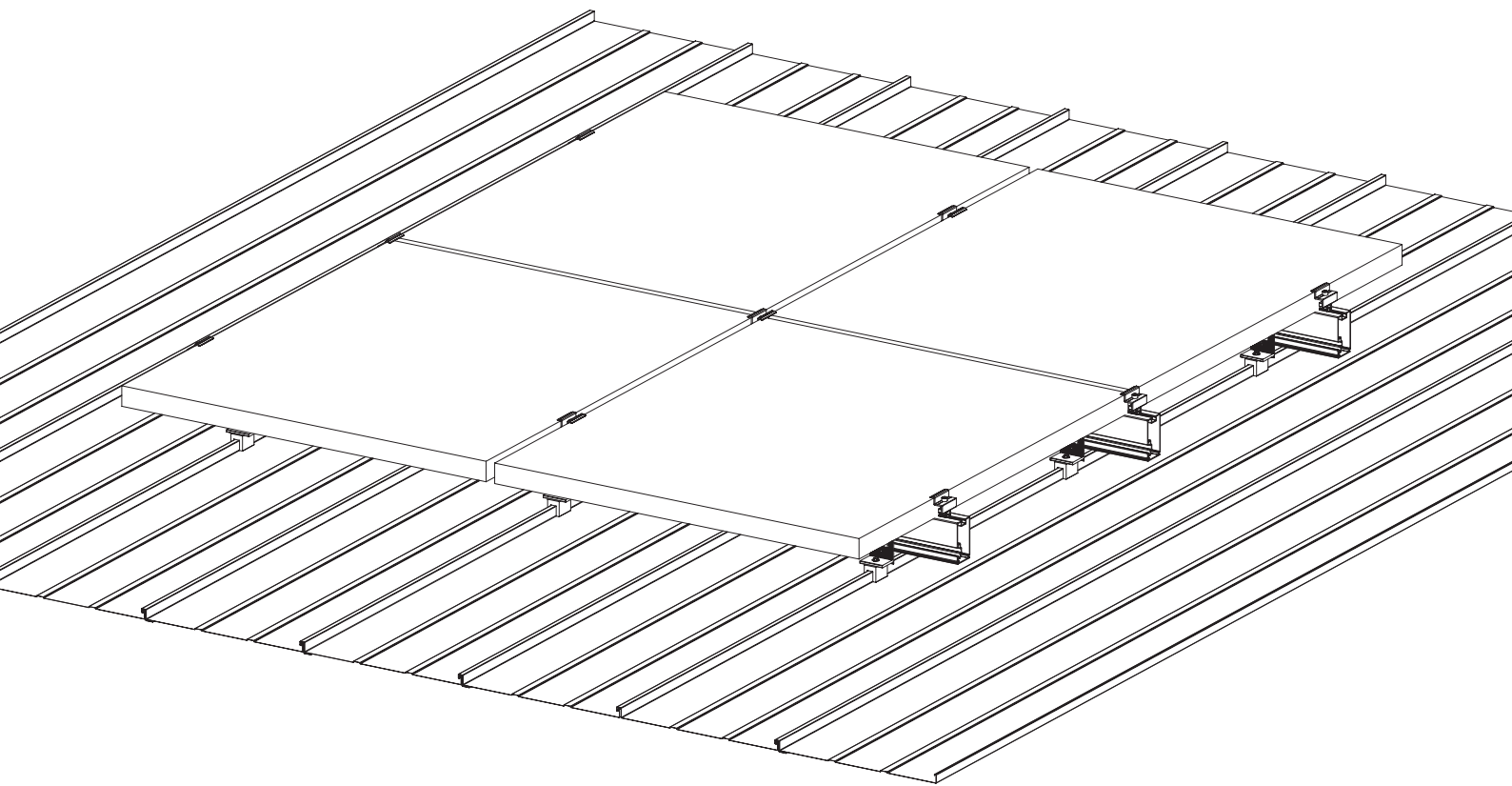
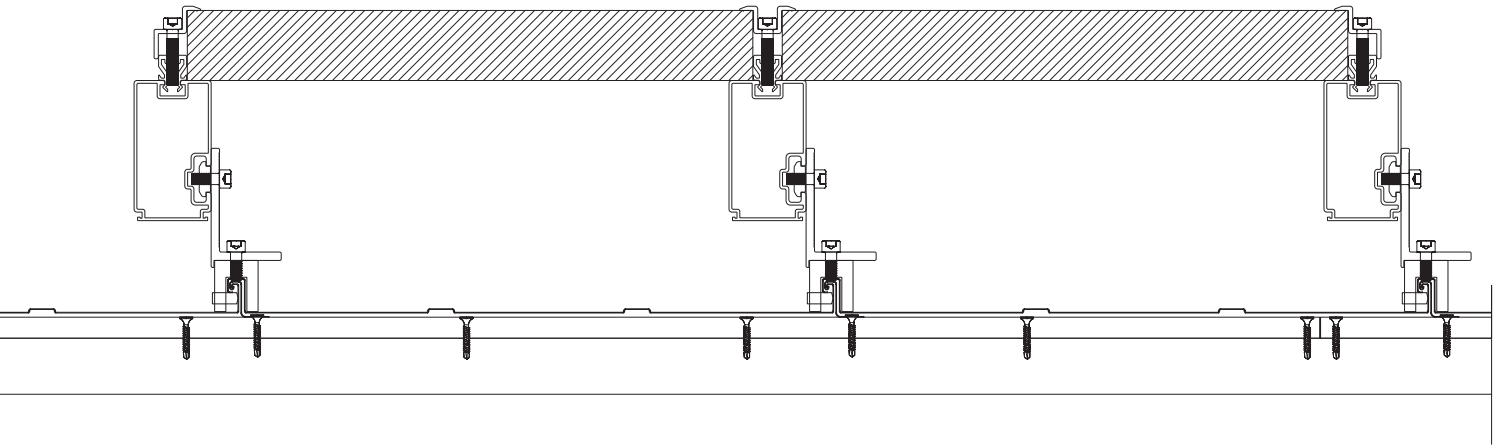
Code: **AK-5411**



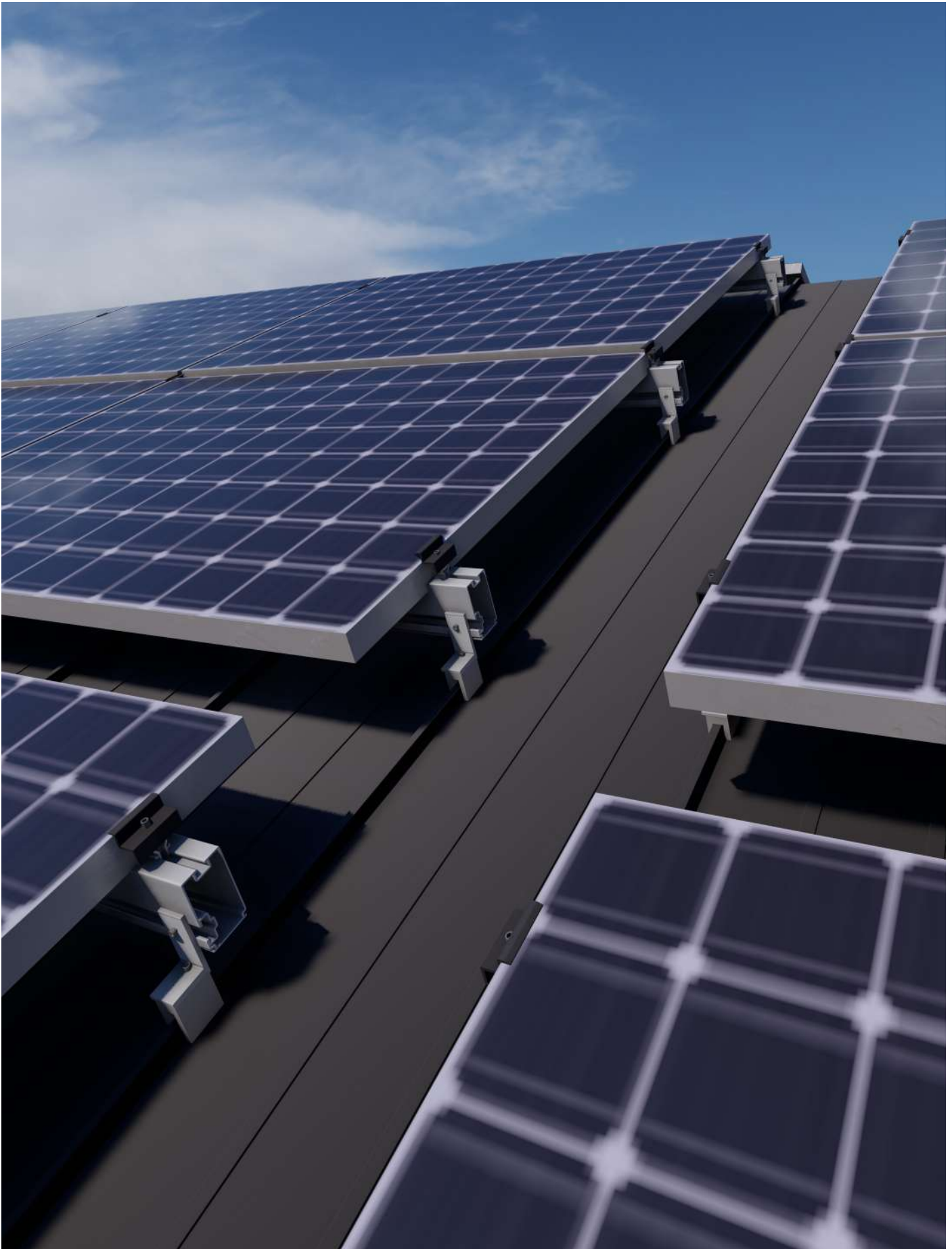
Code: **AK-5414**

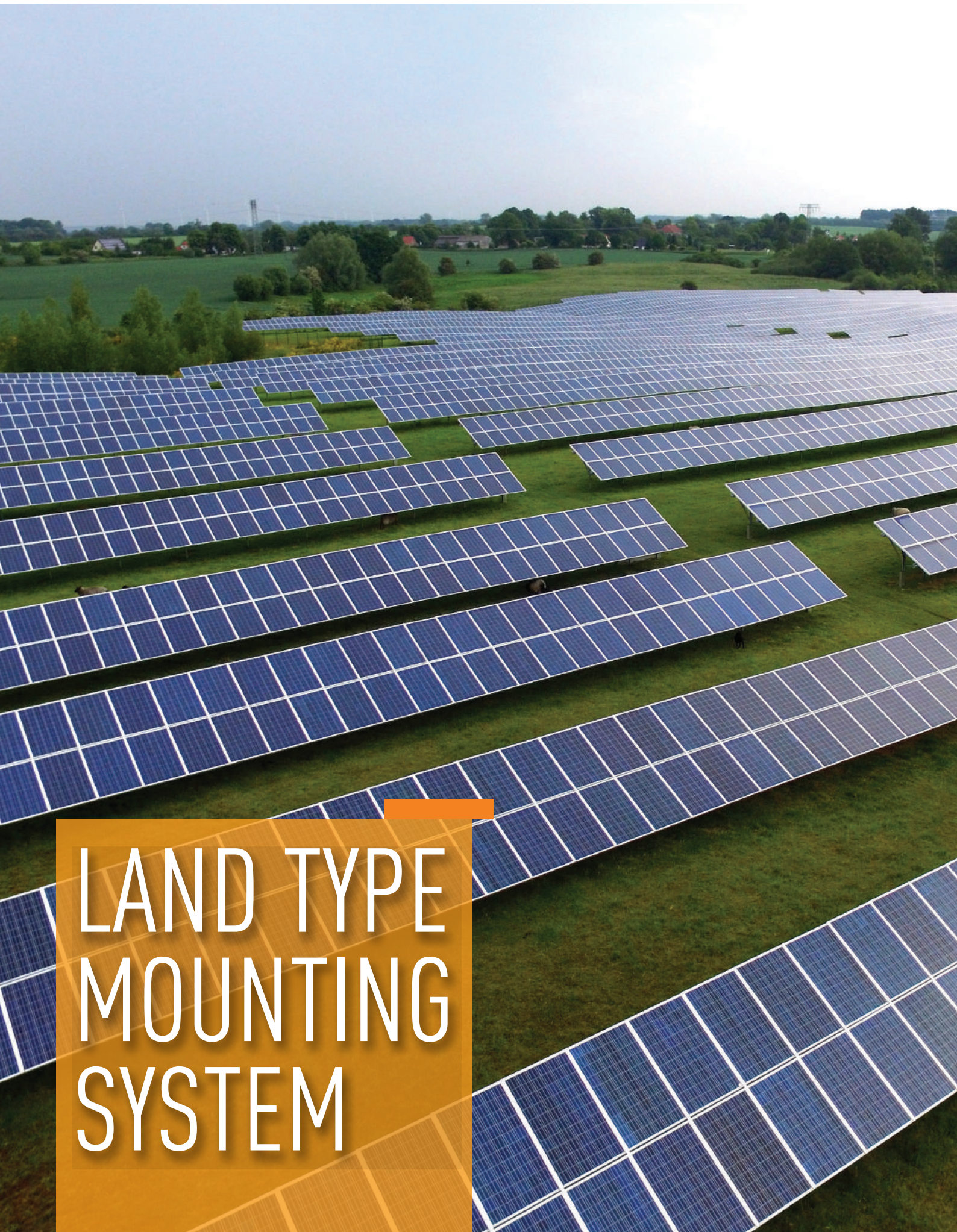


Code: **AK-5415**

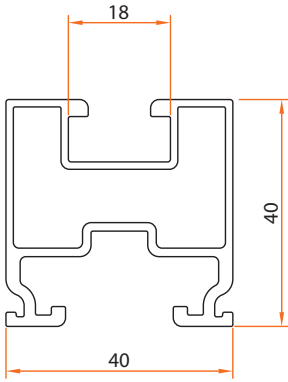


METAL SHEET ROOF MOUNTING SYSTEM

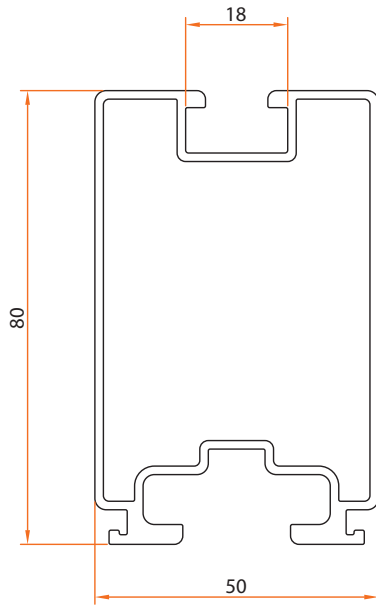




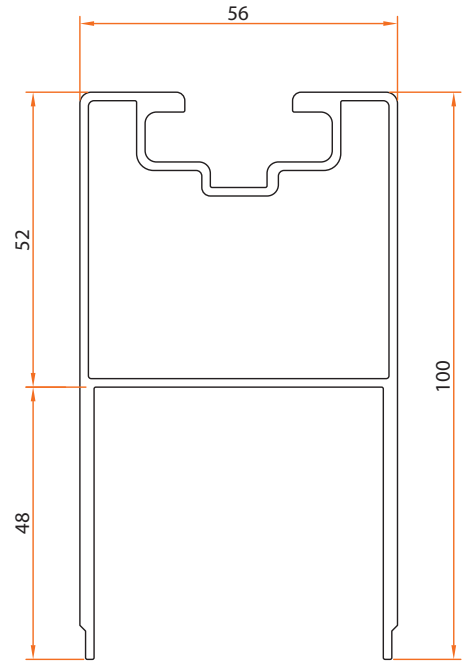
LAND TYPE MOUNTING SYSTEM



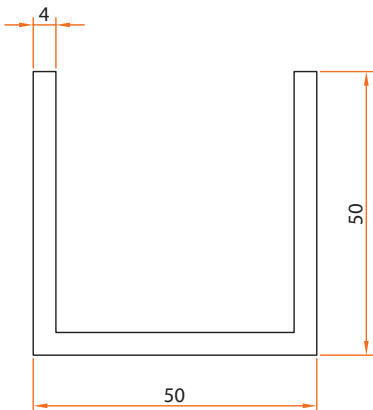
Code: **1424**
0,914 kg/m



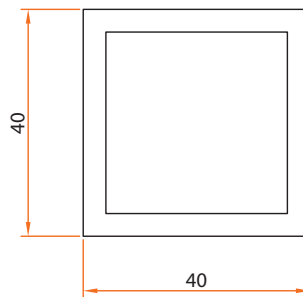
Code: **1433**
1,453 kg/m



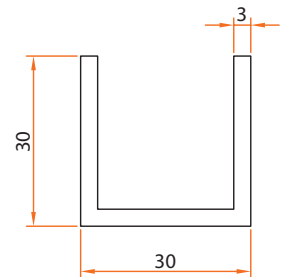
Code: **1434**
1,735 kg/m



Code: **1435**
1,539 kg/m

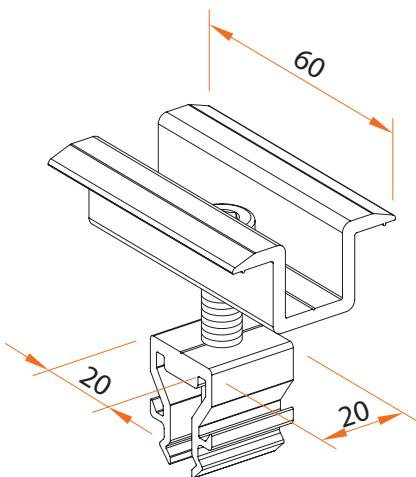


Code: **1436**
1,561 kg/m

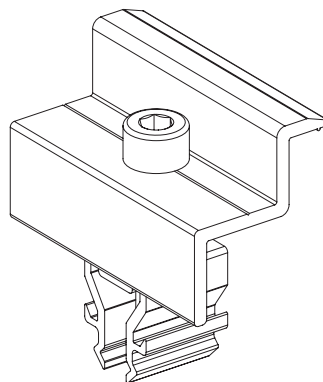


Code: **1437**
0,683 kg/m

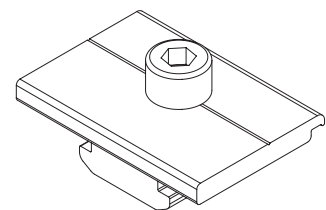
CLAMPS



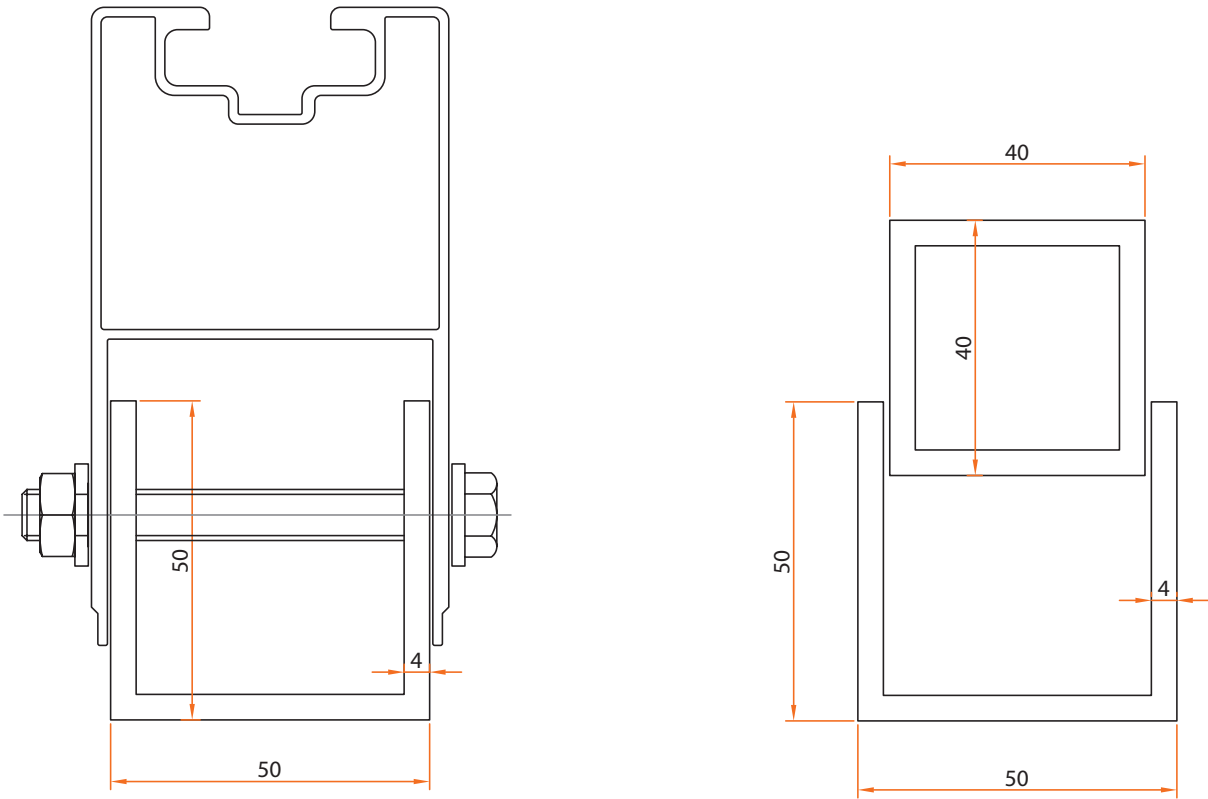
Code: **AK-5410**



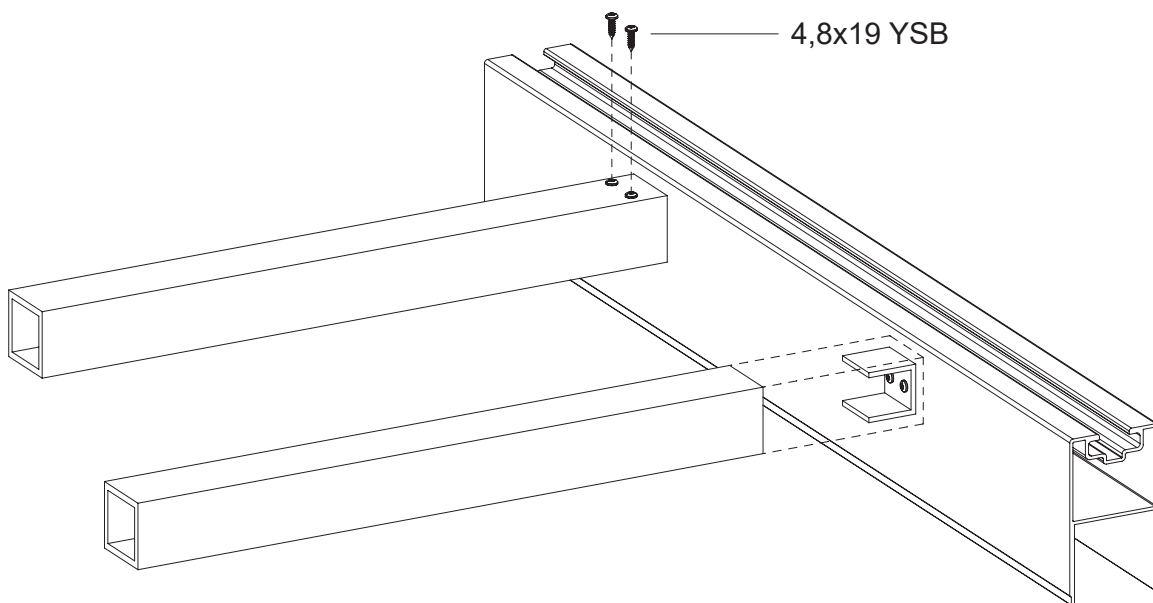
Code: **AK-5411**



Code: **AK-5412**



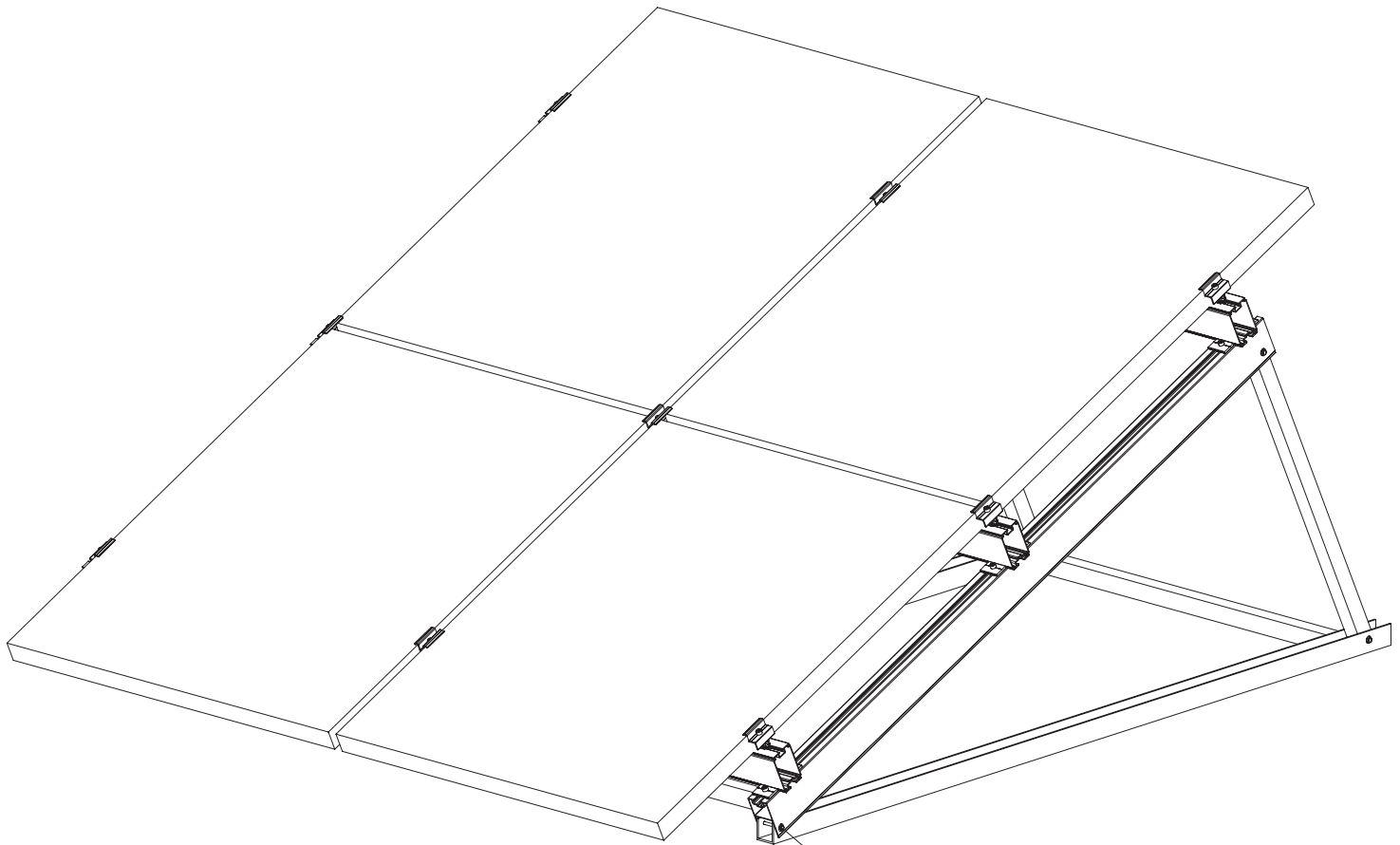
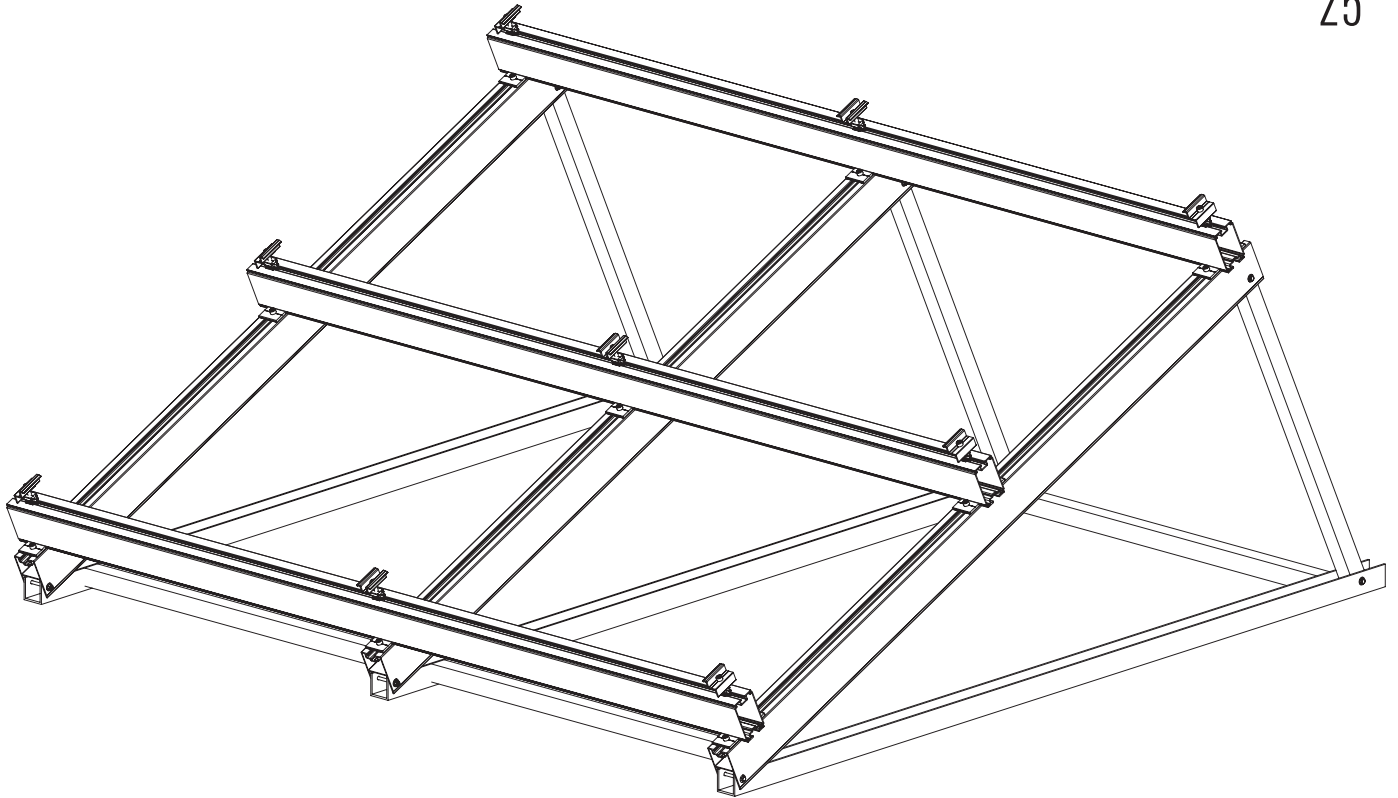
MULLION MOUNTING



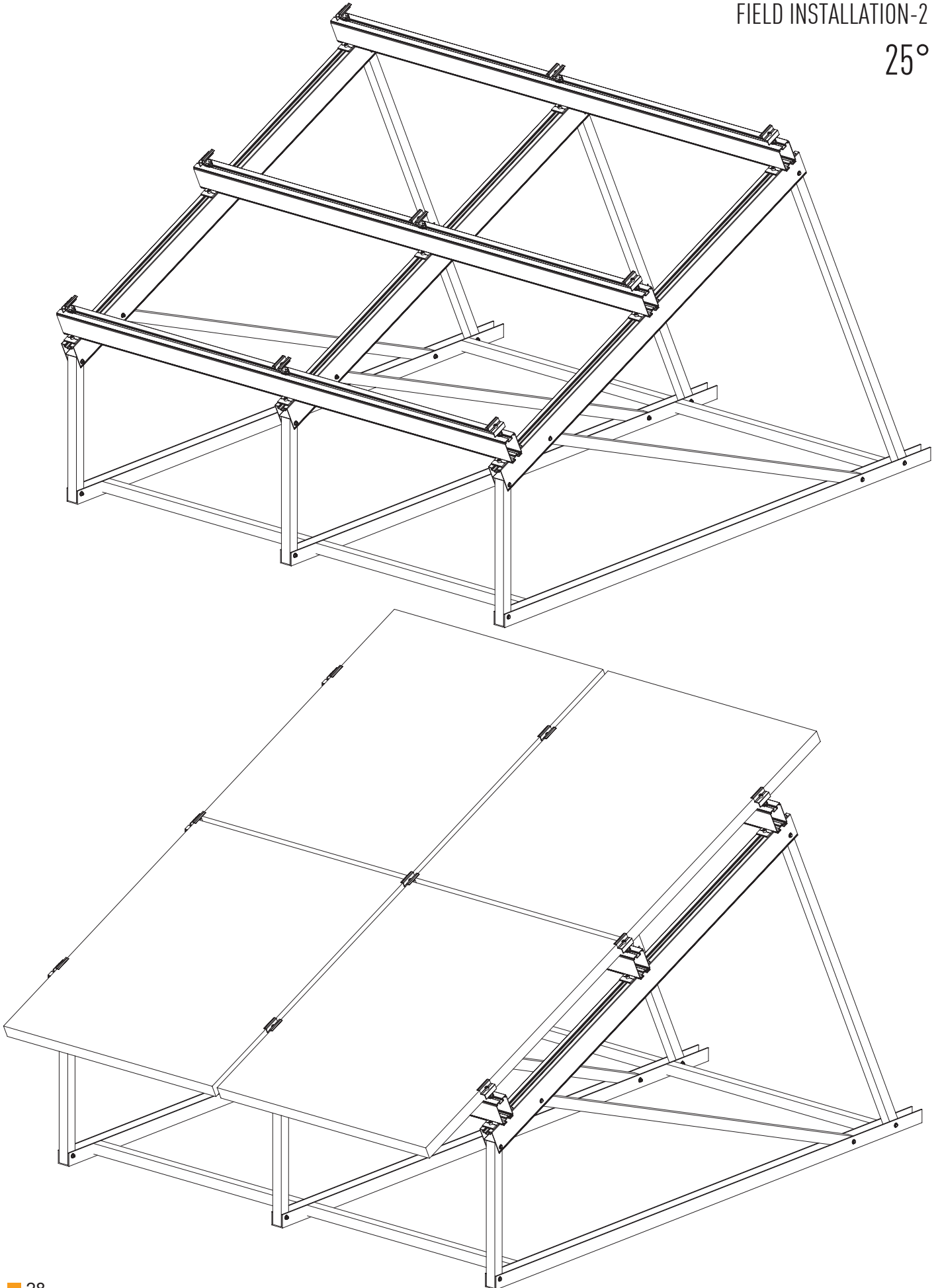
LAND TYPE MOUNTING SYSTEM

FIELD INSTALLATION-1

25°

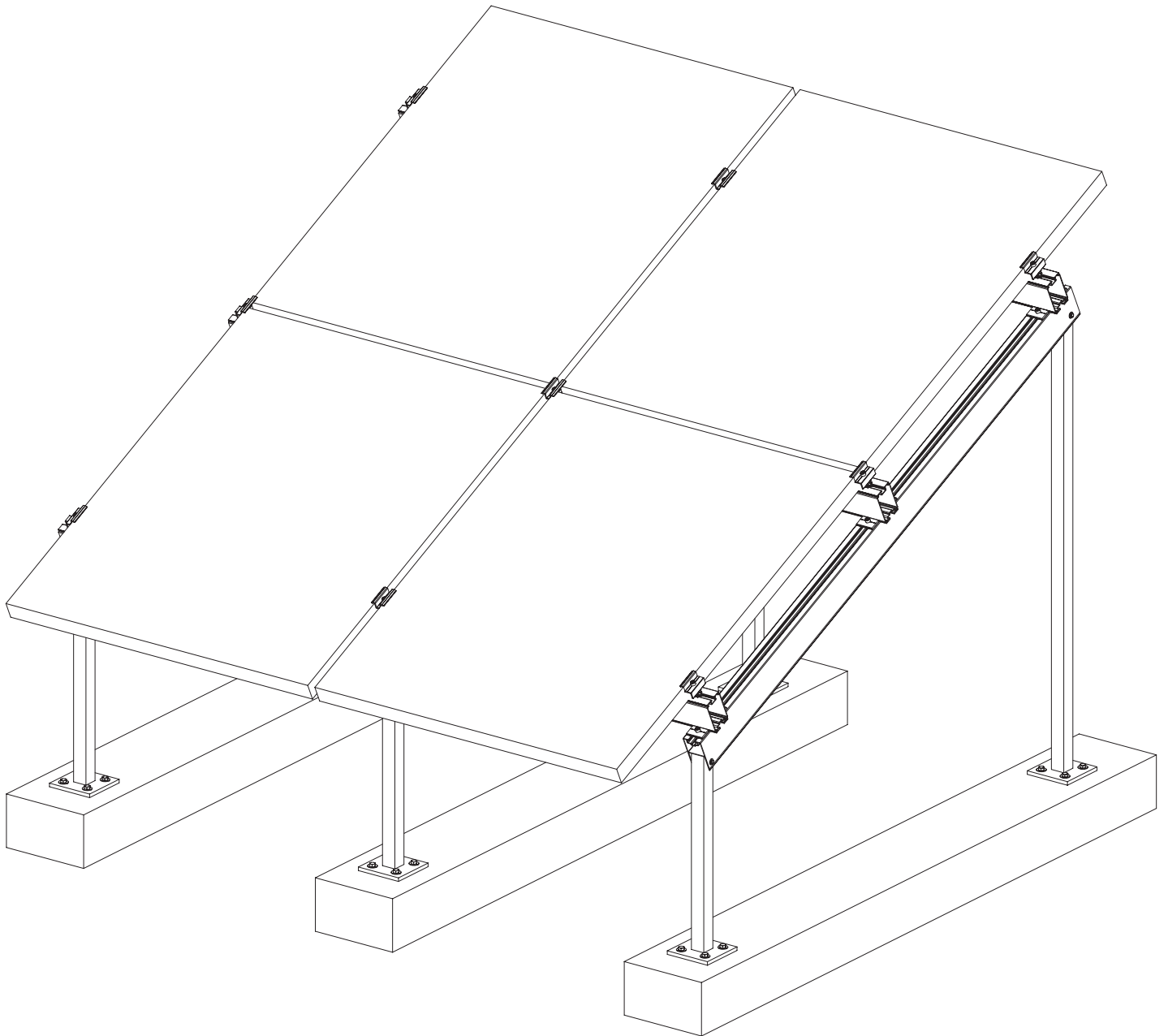


M10 Nut Bolt

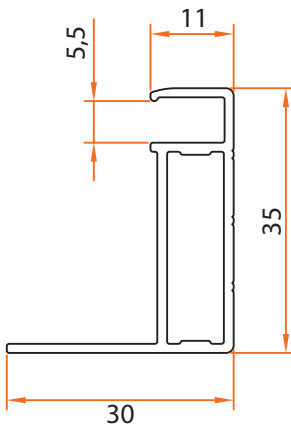
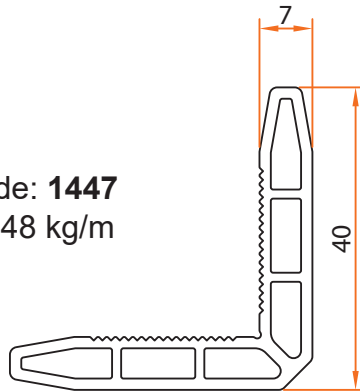


LAND TYPE MOUNTING SYSTEM

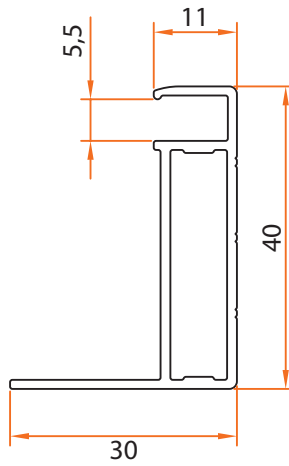
FIELD INSTALLATION-3



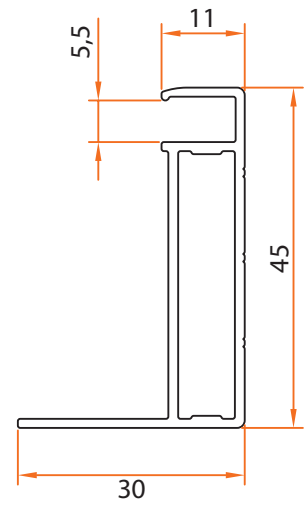
Code: **1447**
0,648 kg/m



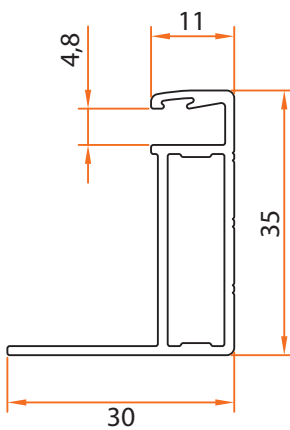
Code: **1446**
0,374 kg/m



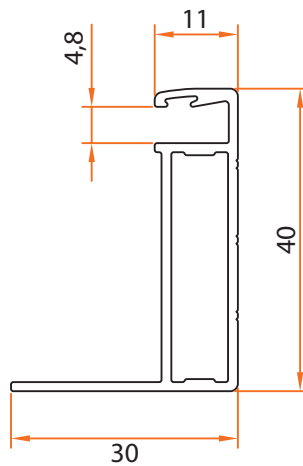
Code: **1449**
0,409 kg/m



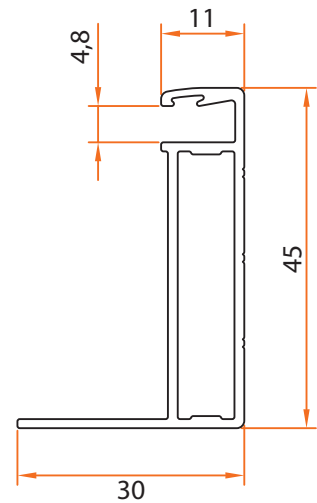
Code: **1450**
0,444 kg/m



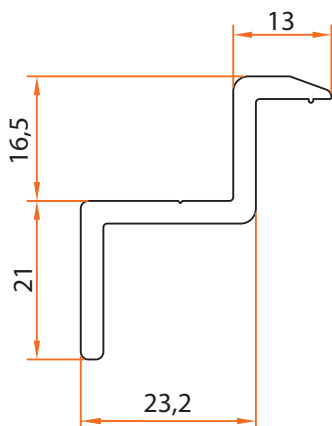
Code: **1448**
0,385 kg/m



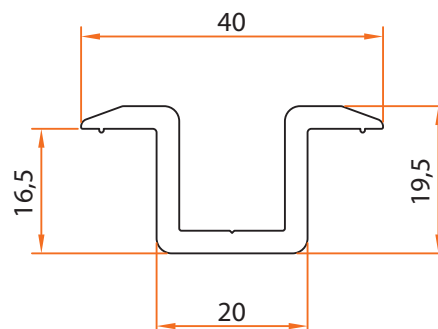
Code: **1451**
0,420 kg/m



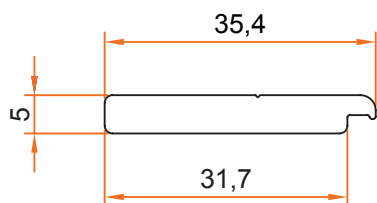
Code: **1452**
0,455 kg/m



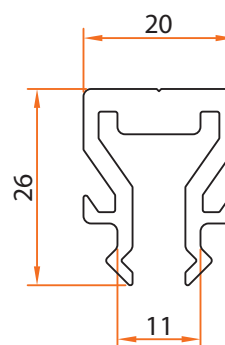
Code: **1419**
0,530 kg/m



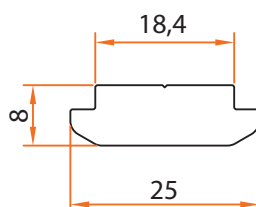
Code: **1420**
0,555 kg/m



Code: **1421**
0,453 kg/m



Code: **1422**
0,585 kg/m



Code: **1423**
0,462 kg/m



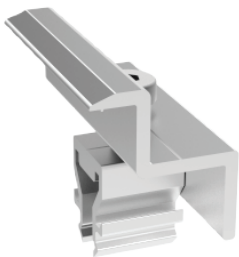
Code: **AK-5410**
Mill Finish



Code: **AK-5410BA**
Black Anodized



Code: **AK-5410NA**
Natural Anodized



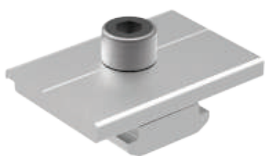
Code: **AK-5411**
Mill Finish



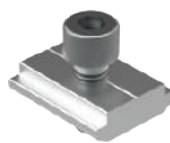
Code: **AK-5411BA**
Black Anodized



Code: **AK-5411NA**
Natural Anodized



Code: **AK-5412**



Code: **AK-5414**



Code: **AK-5415**



Code: **AK-5413**



ALUMETCO

www.alu-metco.com



ALUMETCO

■ **Head Office & Factory**
Strada Crisan 31D, Slatina, Olt, Romania
Tel. +40 733 121 314
Mail. info@alu-metco.com
Web. www.alu-metco.com

